

1) Display and control panel

**Electrical connection**

<b>Connection</b>	Connector, M12x1 connector, 4-pin
<b>Polarity reversal protected</b>	yes
<b>Protection against device mix-ups</b>	yes
<b>Short-circuit protection</b>	yes

**Electrical data**

<b>Hysteresis H max.</b>	1 °C
<b>Load capacitance max. at Ue</b>	70 nF
<b>Load resistance max., analog output</b>	500 Ohm
<b>Operating voltage Ub</b>	10...30 VDC
<b>Protection class</b>	II
<b>Rated insulation voltage Ui</b>	250 V AC
<b>Rated operating current Ie</b>	100 mA
<b>Rated operating voltage Ue DC</b>	24 V
<b>Ready delay tv max.</b>	3.5 s
<b>Residual current Ir max.</b>	10 $\mu$ A
<b>Ripple max. (% of Ue)</b>	15 %
<b>Switching frequency</b>	100 Hz

**Environmental conditions**

<b>Ambient temperature</b>	-5...65 °C
<b>EN 60068-2-27, Shock</b>	Half-sinus, 30 gn, 11 ms, 3x6 Half-sinus, 100 gn, 2 ms, 3x8000
<b>EN 60068-2-6, Vibration</b>	10...55 Hz, amplitude 1 mm, 3x30 min 10...2000 Hz, amplitude 1 mm, 30 gn, 3x5 h
<b>IP rating</b>	IP65, IP67
<b>Relative humidity</b>	95 %, non-condensing
<b>Storage temperature</b>	-25...70 °C

**Functional safety**

<b>MTTF (40 °C)</b>	89 a
---------------------	------

**General data**

<b>Approval/Conformity</b>	CE WEEE
<b>Principle of operation</b>	Band radiation sensor
<b>Series</b>	M30E0

Temperature Sensors  
**BTS M30E0-PSB-H0001-S04G**  
**Order Code: BTS0003**



**Material**

<b>Housing material</b>	Stainless steel, stainless steel (1.4404) Aluminum, black anodized, aluminum (3.3206)
<b>Material sensing surface</b>	Borosilicate crown glass (N-BK7), coated

**Mechanical data**

<b>Dimension</b>	Ø 30 x 190 mm
<b>Mounting</b>	Nut M30x1.5
<b>Tightening torque max.</b>	80 Nm
<b>Weight</b>	300 g

**Output/Interface**

<b>Analog output</b>	Analog, current 4...20 mA
<b>Switching output</b>	PNP normally open/normally closed (NO/NC)

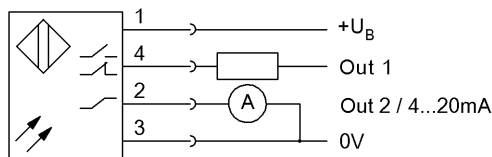
**Range/Distance**

<b>Measuring range</b>	250...1250 °C
<b>Reproducibility</b>	±1 °C
<b>Temperature drift max.</b>	10 %

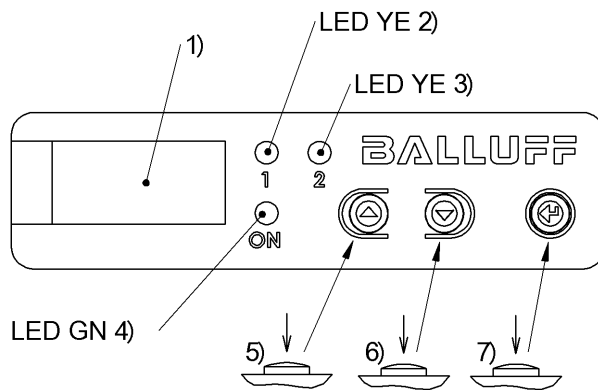
**Connector Drawings**



**Wiring Diagrams**



**Help Views**



- 1) Display
- 2) Output 1 active

- 3) Output 2 active

- 4) Operating voltage
- 5) Scroll / increase value
- 6) Scroll / Reduce value
- 7) Menu, confirm selection