

Basic features

Application	Piston diameter: any Pneumatic cylinder with integrated tie rod (profile): profile width: 4...17 mm Pneumatic cylinder with tie rods
Basic standard	Dimension tolerances: DIN ISO 2768 m
Principle of operation	BMF mounting bracket
Scope of delivery	Fastening part Mounting bracket
Use	for magnetic sensors BMF 32

Environmental conditions

Ambient temperature	-40...85 °C
----------------------------	-------------

Remarks

Magnetic field sensor can be replaced without removing the mounting bracket.
 Long threaded pin: tie rod \varnothing 12 mm
 Short threaded pin: tie rod \varnothing 12 mm / Profile width 10...17 mm.

Material

Material	Aluminum
Surface protection	anodized, black

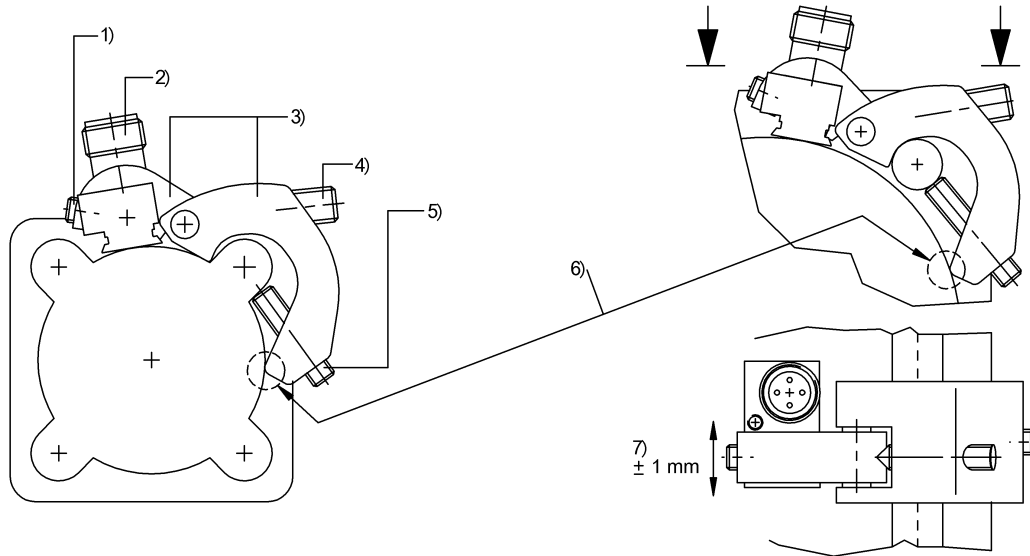
Mechanical data

Mounting, holder	Threaded pin ISO 4026 M5x20-A2/M5x25-A2
Sensor attachment	Threaded pin ISO 4026 M5x20-A2

Range/Distance

Clamping range	4...17 mm
-----------------------	-----------

Help Views



- 1) Sensor attachment
- 2) Magnetic field sensor
- 3) Mounting bracket
- 4) Pivot lock
- 5) Bracket mounting
- 6) Bracket abutting
- 7) Fine adjustment ± 1 mm