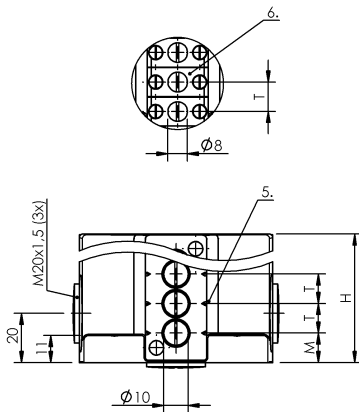
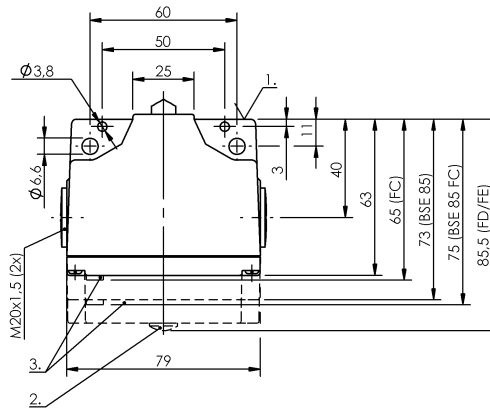


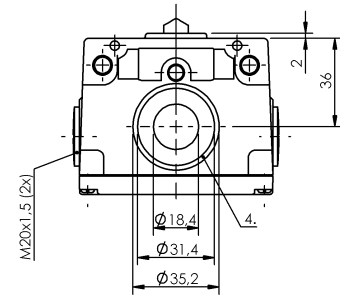
M=12	BNS..61-A..
M=16	BNS..61-B..
M=24	BNS..61-C..
M=30	BNS..61-D..



Gehäuse B/Housing B



Gehäuse B (Standard)/Housing B (Standard)



Gehäuse C/Housing C

1) Reference edge, 2) Function indicator FD/FE/LL, 3) Function indicator FC, 4) Sealing ring, 5) Mark. Safety switch position, 6) Anti-crystallization plunger



### Basic features

Approval/Conformity	CE WEEE EAC
Basic standard	IEC 60947-5-1
Operating principle	1-4. Switch position: Mechanical
Version	Safety EN 60204-1

### Display/Operation

Function indicator	1-4. Switch position: None
--------------------	----------------------------

### Electrical connection

Connection type	1-4. Switch position: Screw terminal
-----------------	--------------------------------------

### Electrical data

Continuous current	1-4. Switch position: 6 A
Rated operating voltage U <sub>e</sub>	1-4. Switch position: 250 V AC
Switching rate	1-4. Switch position: 300/min

### Environmental conditions

Ambient temperature	-5...85 °C
IP rating	IP67

### Functional safety

<b>B10d (EN ISO 13849-1)</b>	BSE 30.0: 30 mil. Switching operations BSE 61: 30 mil. Switching operations
------------------------------	--

### Material

<b>Housing material</b>	Aluminum, Anodized
<b>Housing material, surface protection</b>	Anodized
<b>Material contacts</b>	1-2. Switch position: Silver 3-4. Switch position: Silver, gold plated
<b>Plunger material</b>	1-4. Switch position: Stainless steel (1.4034)

**Mechanical Cam Switches**  
**BNS 813-B04-R12-61-A-10-02**  
**Order Code: BNS02ME**



**Mechanical data**

<b>Approach direction</b>	longitudinal, parallel to attachment surface
<b>Approach speed</b>	1-4. Switch position: 60 m/min
<b>Distance cam - reference edge</b>	1-4. Switch position: 4.50...5.00 mm
<b>Flange, feed-through</b>	None
<b>Installation</b>	Vertical
<b>Life expectancy mechanical</b>	1-4. Switch position: 30 million Switching operations
<b>Number of switching positions</b>	4x Roller

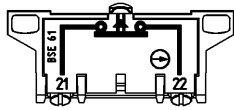
<b>Plunger spacing 1st switch position</b>	12 mm
<b>Plunger style</b>	1-4th switch position: Roller
<b>Switch actuation force</b>	1-2. Switch position: 15 N 3-4. Switch position: 20 N
<b>Switching element</b>	1-2. Switch position: BSE 61 3-4. Switch position: BSE 30.0

**Range/Distance**

<b>Reproducibility</b>	1-4. Switch position: $\pm 0.01$ mm
<b>Switch position spacing</b>	12 mm

**Wiring Diagrams**

BSE 61



BSE 30.0

