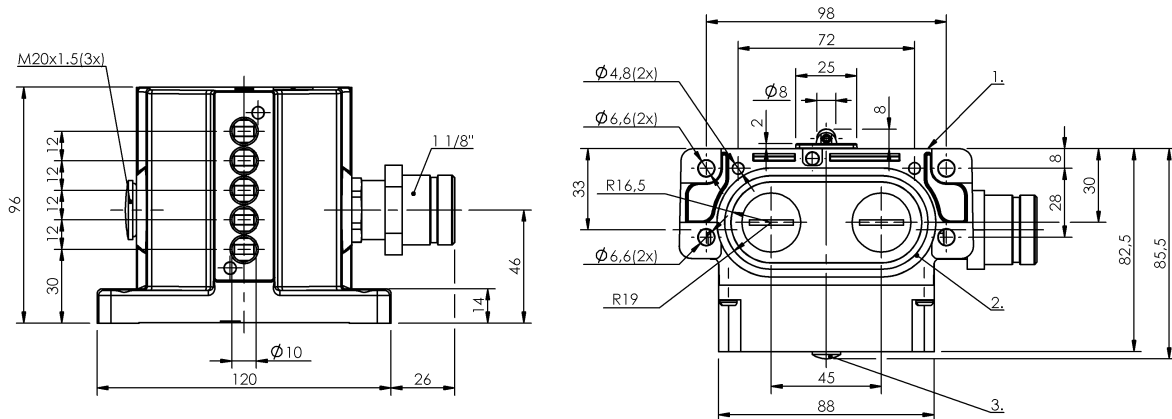


Mechanical Cam Switches
BNS 819-D05-R12-62-10-FD-S90R
 Order Code: BNS01L7

BALLUFF



1) Reference edge, 2) Sealing ring, 3) Function indicator FD/FE/LL



Basic features

Approval/Conformity	CE WEEE EAC
Basic standard	IEC 60947-5-1
Operating principle	1-5. Switch position: Mechanical
Version	Snap contact

Display/Operation

Function indicator	1-5. Switch position: FD - 6...60 V
---------------------------	-------------------------------------

Electrical connection

Connection	1 1/8"-Flange male, 12-pin
Connection type	1. Switch position: Connector

Electrical data

Continuous current	1-5. Switch position: 5 A
Rated operating voltage Ue	1-3. Switch position: 6...60 V 4. Switch position: 30 V AC/36 V DC 5. Switch position: 6...60 V
Switching function mechanical	galvanically isolated One NO and one NC Dual changeover Double-interrupting
Switching rate	1-5. Switch position: 300/min

Environmental conditions

Ambient temperature	-5...85 °C
IP rating	IP67

Functional safety

B10d (EN ISO 13849-1)	BSE 30.0: 30 mil. Switching operations
------------------------------	--

Material

Housing material	Aluminum, Anodized
Housing material, surface protection	Anodized
Material contacts	1-5. Switch position: Silver, gold plated
Plunger material	1-5. Switch position: Stainless steel (1.4034)

Mechanical Cam Switches
BNS 819-D05-R12-62-10-FD-S90R
Order Code: BNS01L7



Mechanical data

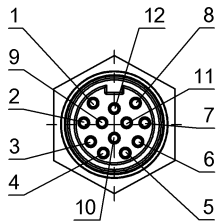
Approach direction	longitudinal, parallel to attachment surface
Approach speed	1-5. Switch position: 60 m/min
Dimension	120 x 96 x 85.5 mm
Distance cam - reference edge	1-5. Switch position: 4.50...5.00 mm
Flange, feed-through	2 threaded exit M20
Installation	Vertical
Life expectancy mechanical	1-5. Switch position: 30 million Switching operations

Number of switching positions	5x Roller
Plunger spacing 1st switch position	30 mm
Plunger style	1-5. switch position: Roller
Switch actuation force	1-5. Switch position: 20 N
Switching element	1-5. Switch position: BSE 30.0

Range/Distance

Reproducibility	1-5. Switch position: ± 0.01 mm
Switch position spacing	12 mm

Connector Drawings



View of connector side

Wiring Diagrams

