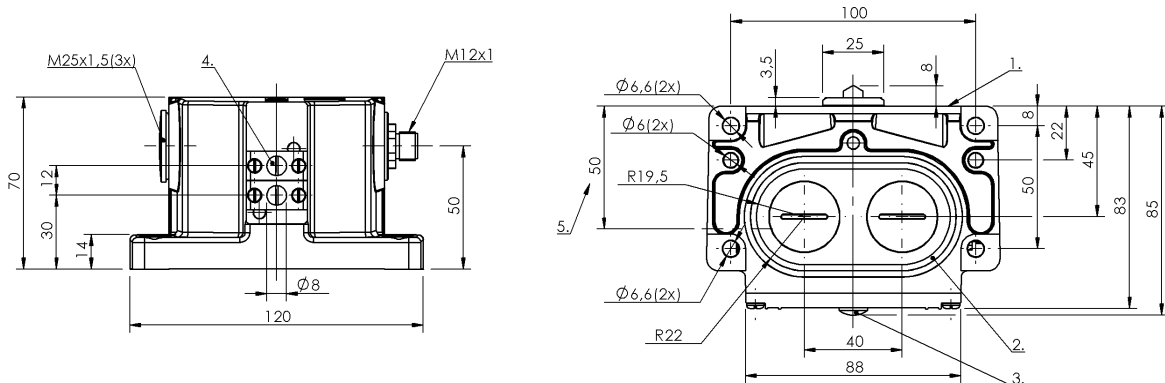


Mechanical Cam Switches  
**BNS 819-D02-E12-100-10-FD-S80R**  
 Order Code: BNS00AM

**BALLUFF**



1) Reference edge, 2) Sealing ring, 3) Function indicator FD/FE/LL, 4) Anti-crystallization plunger, 5) Cable passage



**Basic features**

Approval/Conformity	CE WEEE EAC
Basic standard	IEC 60947-5-1
DIN switch	DIN 43697
Operating principle	1-2. Switch position: Mechanical
Version	Snap contact

**Display/Operation**

Function indicator	1-2. Switch position: FD - 6...60 V
--------------------	-------------------------------------

**Electrical connection**

Connection	M12x1-Flange male, 5-pin
Connection type	1. Switch position: Connector

**Electrical data**

Continuous current	1-2. Switch position: 4 A
Rated operating voltage Ue	1-2. Switch position: 6...60 V
Switching function mechanical	galvanically isolated One NO and one NC Dual changeover Double-interrupting
Switching rate	1-2. Switch position: 300/min

**Environmental conditions**

Ambient temperature	-5...85 °C
IP rating	IP67

**Functional safety**

B10d (EN ISO 13849-1)	BSE 30.0: 30 mil. Switching operations
-----------------------	--

**Material**

Housing material	Aluminum, Anodized
Housing material, surface protection	Anodized
Material contacts	1-2. Switch position: Silver, gold plated
Plunger material	1-2. Switch position: Stainless steel (1.4034)

**Mechanical data**

Approach direction	longitudinal, parallel to attachment surface
Approach speed	1-2. Switch position: 30 m/min
Dimension	120 x 70 x 85 mm
Distance cam - reference edge	1-2. Switch position: 4.50...5.00 mm
Flange, feed-through	2 threaded exit M25
Installation	Vertical
Life expectancy mechanical	1-2. Switch position: 30 million Switching operations
Number of switching positions	2x E-Chisel
Plunger spacing 1st switch position	30 mm
Plunger style	1-2nd switch position: E-chisel
Switch actuation force	1-2. Switch position: 20 N
Switching element	1-2. Switch position: BSE 30.0

Mechanical Cam Switches  
**BNS 819-D02-E12-100-10-FD-S80R**  
**Order Code: BNS00AM**

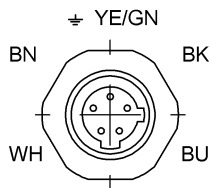
**BALLUFF**

Range/Distance

Reproducibility  
 Switch position spacing

1-2. Switch position:  $\pm 0.002$  mm  
 12 mm

Connector Drawings



View of connector side

Wiring Diagrams

