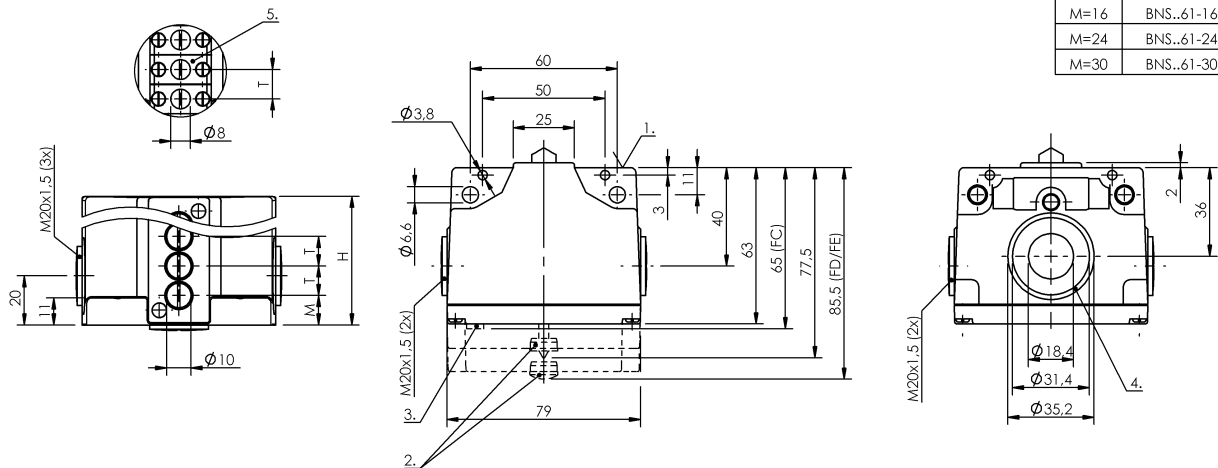


| | |
|------|--------------|
| M=12 | BNS..61-12.. |
| M=16 | BNS..61-16.. |
| M=24 | BNS..61-24.. |
| M=30 | BNS..61-30.. |



Gehäuse B/Housing B

Gehäuse B (Standard)/Housing B (Standard)

Gehäuse C/Housing C

1) Reference edge, 2) Function indicator FD/FE/LL, 3) Function indicator FC, 4) Sealing ring, 5) Anti-crystallization plunger



Basic features

| | |
|----------------------------|----------------------------------|
| Approval/Conformity | CE CCC CSA WEEE EAC |
| Basic standard | IEC 60947-5-1 |
| Operating principle | 1-4. Switch position: Mechanical |
| Version | Snap contact |

Display/Operation

| | |
|---------------------------|----------------------------|
| Function indicator | 1-4. Switch position: None |
|---------------------------|----------------------------|

Electrical connection

| | |
|------------------------|--------------------------------------|
| Connection type | 1-4. Switch position: Screw terminal |
|------------------------|--------------------------------------|

Electrical data

| | |
|--------------------------------------|--|
| Continuous current | 1-4. Switch position: 6 A |
| Rated operating voltage Ue | 1-4. Switch position: 250 V AC |
| Switching function mechanical | One NO and one NC galvanically isolated Double-interrupting Dual changeover |
| Switching rate | 1-4. Switch position: 300/min |

Environmental conditions

| | |
|----------------------------|------------|
| Ambient temperature | -5...85 °C |
| IP rating | IP67 |

Functional safety

| | |
|------------------------------|--|
| B10d (EN ISO 13849-1) | BSE 30.0: 30 mil. Switching operations |
|------------------------------|--|

Material

| | |
|---|--|
| Housing material | Aluminum, Anodized |
| Housing material, surface protection | Anodized |
| Material contacts | 1-4. Switch position: Silver, gold plated |
| Plunger material | 1-4. Switch position: Stainless steel (1.4034) |

Mechanical Cam Switches
BNS 819-B04-D16-61-16-10
Order Code: BNS02A0

BALLUFF

Mechanical data

| | |
|--------------------------------------|---|
| Approach direction | longitudinal, parallel to attachment surface |
| Approach speed | 1-4. Switch position: 40 m/min |
| Dimension | 79 x 84 x 63 mm |
| Distance cam - reference edge | 1-4. Switch position: 4.50...5.00 mm |
| Flange, feed-through | None |
| Installation | Vertical |
| Life expectancy mechanical | 1-4. Switch position: 30 million Switching operations |

| | |
|--|--------------------------------|
| Number of switching positions | 4x Chisel |
| Plunger spacing 1st switch position | 16 mm |
| Plunger style | 1-4th switch position: Chisel |
| Switch actuation force | 1-4. Switch position: 20 N |
| Switching element | 1-4. Switch position: BSE 30.0 |

Range/Distance

| | |
|--------------------------------|--------------------------------------|
| Reproducibility | 1-4. Switch position: ± 0.002 mm |
| Switch position spacing | 16 mm |

Wiring Diagrams

BSE 30.0

