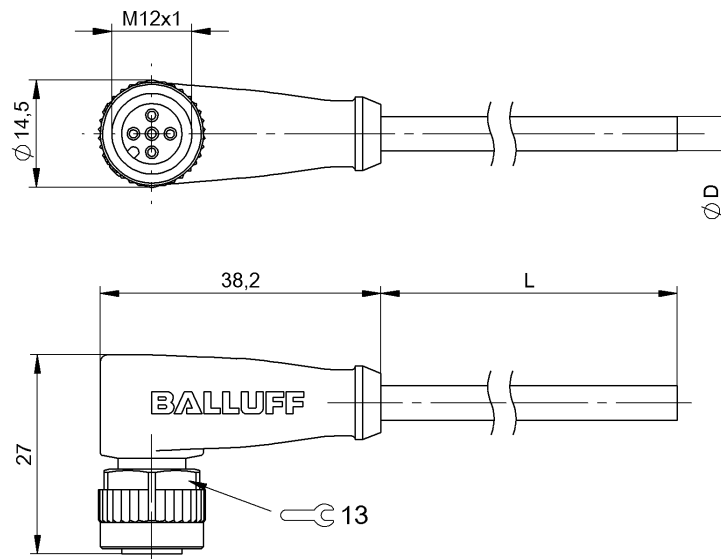


Single-Ended Cordsets

BCC M425-0000-1A-003-PX0434-020

Order Code: BCC032Y

**BALLUFF**



4MT5  
(CYJV CABLE ASSEMBLY)



**Basic features**

Approval/Conformity	cULus EAC WEEE
---------------------	----------------------

**Electrical connection**

Bending radius min., fixed cable	5 x D
Bending radius min., flexible cable	10 x D
Cable	PUR black, 2.00 m, Drag chain compatible
Cable diameter D	4.70 mm ±0.20 mm
Cable, bending cycles min.	5 million
Conductor cross-section	0.34 mm <sup>2</sup>
Connection	M12x1-Female, right-angle, 5-pin, A-coded
Connector configuration	right-angle
Number of conductors	4
Number of pins	5
System	Molded

**Electrical data**

Operating voltage $U_b$	250 VDC / 250 VAC
Rated current (40 °C)	4.0 A

**Environmental conditions**

Cable temperature UL max., fixed routing	80 °C
Cable temperature UL max., flexible routing	80 °C
Cable temperature, drag chain	-25...60 °C
Cable temperature, fixed routing	-50...90 °C
Cable temperature, flexible routing	-25...90 °C
IP rating	IP67, IP68, IP69K

**Material**

Cable jacket, material	PUR
Material contact carrier	PUR
Material contacts	Bronze
Material cover nut	Die-cast zinc
Material grip	PUR

**Mechanical data**

Acceleration max., drag chain	5 m/s <sup>2</sup>
Cable jacket, color	black
Cable length L	2.00 m
Cable properties	Drag chain compatible
Horizontal travel permitted, drag chain	5 m
Tightening torque pigtail	0.6 Nm
Traverse speed max., drag chain	200 m/min
Vertical travel permitted, drag chain	5 m

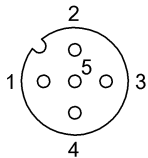
**Output/Interface**

Switching output	Complementary
------------------	---------------

## Remarks

Cable construction acc. to UL-AWM Style 20549  
Halogen-free per DIN VDE 0472 Part 815  
Silicone-free  
Flame-retarding acc. to IEC 60332-2  
Enclosure rating per IEC 60529 or 20653, only in screwed state with the associated mating piece.

## Connector Drawings



PIN 1: brown  
PIN 2: white  
PIN 3: blue  
PIN 4: black

## Wiring Diagrams

