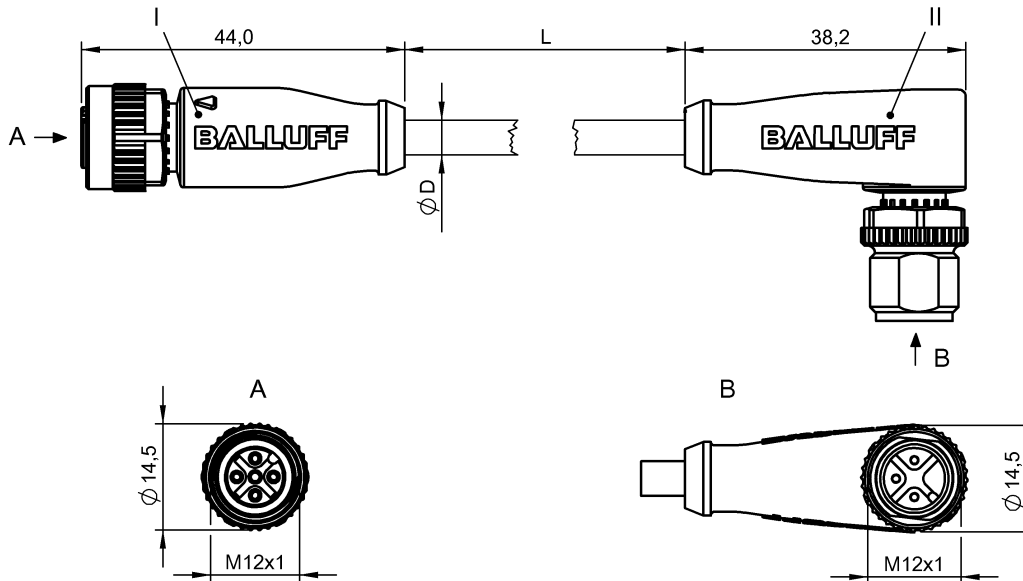


Double-Ended Cordsets  
**BCC M415-M423-3A-300-VX8334-030**  
 Order Code: BCC038M

# BALLUFF



4MT5  
(CYJV CABLE ASSEMBLY)



## Basic features

Approval/Conformity	cULus EAC WEEE
---------------------	----------------------

## Electrical connection

Bending radius min., fixed cable	5 x D
Bending radius min., flexible cable	10 x D
Cable	PVC gray, 3.00 m, Drag chain compatible
Cable diameter D	4.50 mm ±0.15 mm
Cable, bending cycles min.	2 million
Conductor cross-section	0.34 mm <sup>2</sup>
Connection 1	M12x1-Female, straight, 5-pin, A-coded
Connection 2	M12x1-Male, angled, 3-pin, A-coded
Number of conductors	3
System	Molded/Molded

## Electrical data

Operating voltage U <sub>b</sub>	250 VDC / 250 VAC
Rated current (40 °C)	4.0 A

## Environmental conditions

Cable temperature UL max., fixed routing	80 °C
Cable temperature UL max., flexible routing	80 °C
Cable temperature, drag chain	-5...60 °C
Cable temperature, fixed routing	-40...105 °C
Cable temperature, flexible routing	5...105 °C
IP rating	IP67, IP68, IP69K/IP67, IP68, IP69K

## Material

Cable jacket, material	PVC
Material contact carrier	PUR/PUR
Material contacts	Bronze/Brass
Material cover nut	Die-cast zinc/Die-cast zinc
Material grip	PUR/PUR

## Mechanical data

Acceleration max., drag chain	5 m/s <sup>2</sup>
Cable jacket, color	gray
Cable length L	3.00 m
Cable properties	Drag chain compatible
Horizontal travel permitted, drag chain	5 m
Tightening torque pigtail	0.6 Nm/0.6 Nm
Traverse speed max., drag chain	200 m/min
Vertical travel permitted, drag chain	2 m

## Remarks

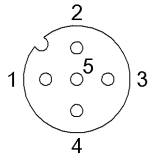
Cable construction acc. to UL-AWM Style 2517

Silicone-free

Flame resistance per IEC 60332-1-2

Enclosure rating per IEC 60529 or 20653, only in screwed state with the associated mating piece.

## Connector Drawings



I

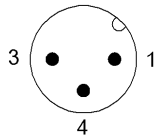
PIN 1: brown

PIN 2: n.c.

PIN 3: blue

PIN 4: black

PIN 5: n.c.



II

PIN 1: brown

PIN 3: blue

PIN 4: black

## Wiring Diagrams

