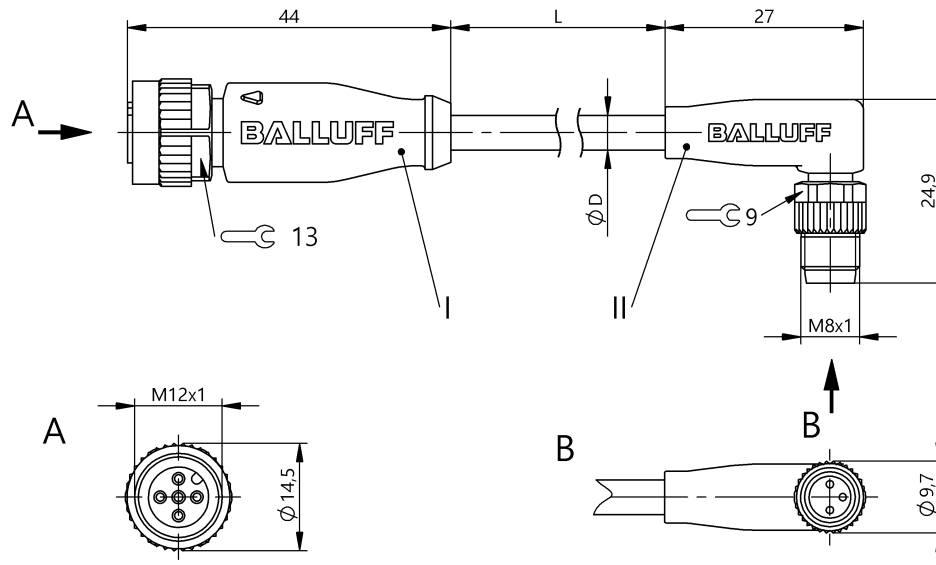


Double-Ended Cordsets  
**BCC M415-M323-3F-300-PX0334-006**  
 Order Code: BCC03ML

# BALLUFF



4MT5  
(CYJV CABLE ASSEMBLY)



### Basic features

|                     |                            |
|---------------------|----------------------------|
| Approval/Conformity | CE<br>cULus<br>EAC<br>WEEE |
|---------------------|----------------------------|

### Electrical connection

|                                     |  |
|-------------------------------------|--|
| Bending radius min., fixed cable    | 5 x D                                    |
| Bending radius min., flexible cable | 10 x D                                   |
| Cable                               | PUR black, 0.60 m, Drag chain compatible |
| Cable diameter D                    | 4.30 mm ±0.20 mm                         |
| Cable, bending cycles min.          | 5 million                                |
| Cable, torsion stress               | ±180°/m                                  |
| Conductor cross-section             | 0.34 mm <sup>2</sup>                     |
| Connection 1                        | M12x1-Female, straight, 5-pin, A-coded   |
| Connection 2                        | M8x1-Male, angled, 3-pin, A-coded        |
| Number of conductors                | 3  |
| System                              | Molded/Molded                            |

### Electrical data

|                       |                 |
|-----------------------|-----------------|
| Operating voltage UB  | 60 VDC / 60 VAC |
| Rated current (40 °C) | 4.0 A           |

### Environmental conditions

|   |                               |
|---|-------------------------------|
| Cable temperature UL max., fixed routing    | 80 °C                         |
| Cable temperature UL max., flexible routing | 80 °C                         |
| Cable temperature, drag chain               | -25...60 °C                   |
| Cable temperature, fixed routing            | -50...90 °C                   |
| Cable temperature, flexible routing         | -25...90 °C                   |
| Protection degree                           | IP67, IP68, IP69K/IP67, IP69K |

### Material

|                          |  |
|--------------------------|--|
| Cable jacket, material   | PUR  |
| Material contact carrier | PUR/PUR  |
| Material contacts        | Bronze/Brass                                       |
| Material cover nut       | Die-cast zinc/Die-cast zinc or nickel plated brass |
| Material grip            | PUR/PUR  |

### Mechanical data

|   |                       |
|---|-----------------------|
| Acceleration max., drag chain           | 5 m/s <sup>2</sup>    |
| Cable jacket, color                     | black                 |
| Cable length L                          | 0.60 m                |
| Cable properties                        | Drag chain compatible |
| Horizontal travel permitted, drag chain | 5 m                   |
| Tightening torque pigtail               | 0.6 Nm/0.4 Nm         |
| Traverse speed max., drag chain         | 200 m/min             |
| Vertical travel permitted, drag chain   | 5 m                   |

## Remarks

Cable construction acc. to UL-AWM Style 20549

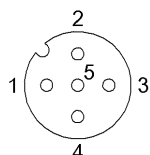
Halogen-free per DIN VDE 0472 Part 815

Silicone-free

Flame resistance acc. to IEC 60332-2

Enclosure rating per IEC 60529 or 20653, only in screwed state with the associated mating piece.

## Connector Drawings



I

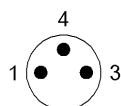
PIN 1: brown

PIN 2: n.c.

PIN 3: blue

PIN 4: black

PIN 5: n.c.



II

PIN 1: brown

PIN 3: blue

PIN 4: black

## Wiring Diagrams

