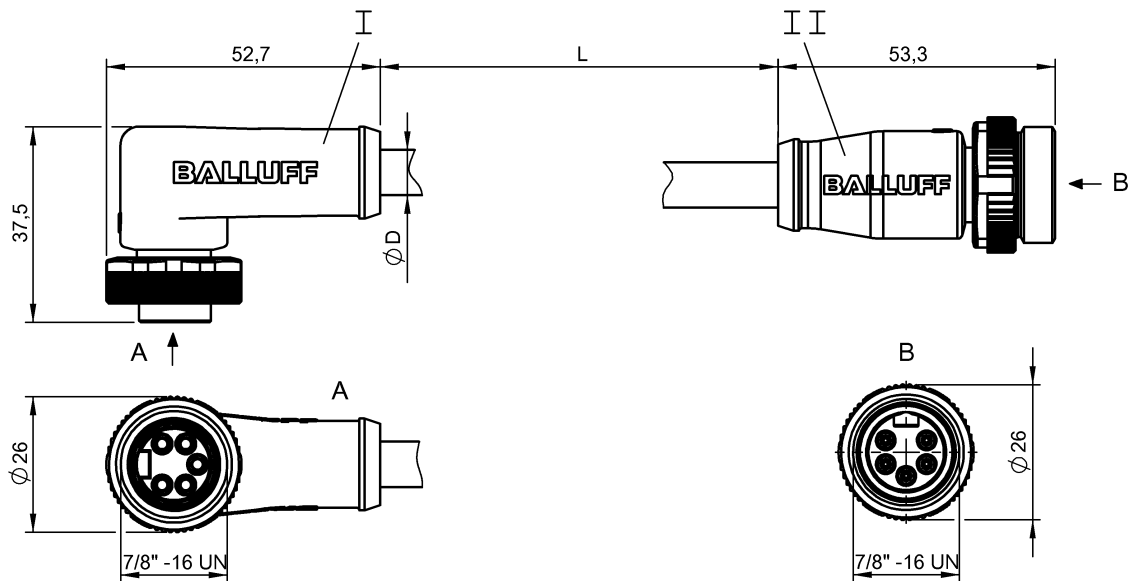


Double-Ended Cordsets  
**BCC A325-A315-30-335-PX05A5-006**  
 Order Code: BCC06H1

**BALLUFF**



4MT5  
(CYJV CABLE ASSEMBLY)



**Basic features**

Approval/Conformity	cULus EAC WEEE
---------------------	----------------------

**Electrical connection**

Bending radius min., fixed cable	7.5 x D
Bending radius min., flexible cable	10 x D
Cable	PUR black, 0.60 m, Drag chain compatible
Cable diameter D	8.70 mm ±0.20 mm
Cable, bending cycles min.	5 million
Conductor cross-section	1.5 mm <sup>2</sup>
Connection 1	7/8"-Female, angled, 5-pin
Connection 2	7/8"-Male, straight, 5-pin
Number of conductors	5
System	Molded/Molded

**Electrical data**

Cable rated voltage AC max.	600 V
Cable rated voltage DC max.	600 V
Operating voltage Ub	300 VDC / 300 VAC
Rated current (40 °C)	9.0 A

**Environmental conditions**

Cable temperature, fixed routing	-50...80 °C
Cable temperature, flexible routing	-20...80 °C
Protection degree	IP67, IP68/IP67, IP68

**Material**

Cable jacket, material	PUR
Material contact carrier	PUR/PUR
Material contacts	Brass/Brass
Material cover nut	Die-cast zinc/Die-cast zinc
Material grip	PUR/PUR

**Mechanical data**

Acceleration max., drag chain	5 m/s <sup>2</sup>
Cable jacket, color	black
Cable length L	0.60 m
Cable properties	Drag chain compatible
Horizontal travel permitted, drag chain	20 m
Tightening torque pigtail	1.5 Nm/1.5 Nm
Traverse speed max., drag chain	300 m/min

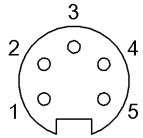
**Output/Interface**

Switching output	Complementary
------------------	---------------

Remarks

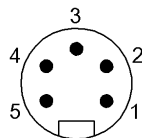
Cable construction acc. to UL-AWM Style 20234  
Halogen-free  
Silicone-free  
Flame-retarding  
Enclosure rating per IEC 60529, only in screwed state with the associated mating piece.

Connector Drawings



I

PIN 1: black  
PIN 2: blue  
PIN 3: green/yellow  
PIN 4: brown  
PIN 5: white



II

PIN 1: black  
PIN 2: blue  
PIN 3: green/yellow  
PIN 4: brown  
PIN 5: white

Wiring Diagrams

