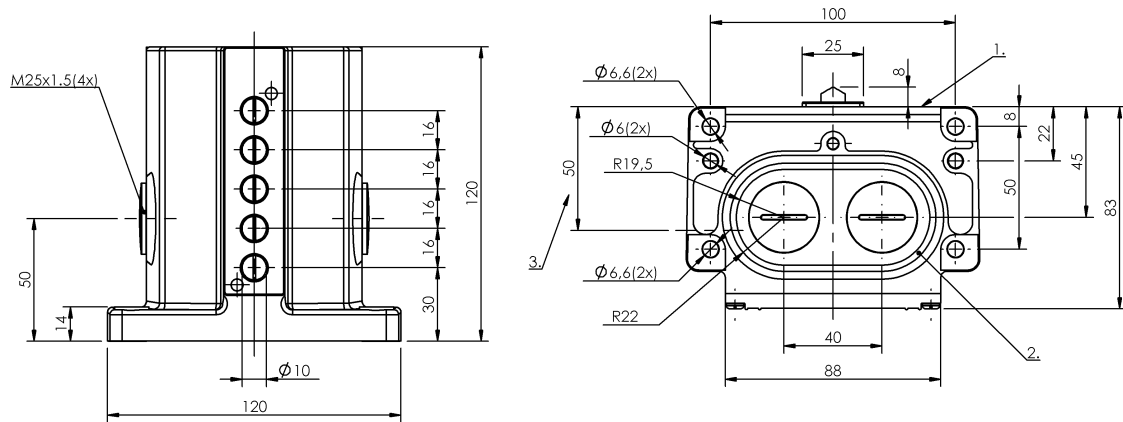


Mechanical Cam Switches
BNS 819-D05-D16-100-10
 Order Code: BNS00JL

BALLUFF



1) Reference edge, 2) Sealing ring, 3) Cable passage



Basic features

Approval/Conformity	CE WEEE EAC
Basic standard	IEC 60947-5-1
DIN switch	DIN 43697
Operating principle	1-5. Switch position: Mechanical
Version	Snap contact

Display/Operation

Function indicator	1-5. Switch position: None
---------------------------	----------------------------

Electrical connection

Connection type	1-5. Switch position: Screw terminal
------------------------	--------------------------------------

Electrical data

Continuous current	1-5. Switch position: 6 A
Rated operating voltage Ue	1-5. Switch position: 250 V AC
Switching function mechanical	Double-interrupting galvanically isolated One NO and one NC Dual changeover
Switching rate	1-5. Switch position: 300/min

Environmental conditions

Ambient temperature	-5...85 °C
IP rating	IP67

Functional safety

B10d (EN ISO 13849-1)	BSE 30.0: 30 mil. Switching operations
------------------------------	--

Material

Housing material	Aluminum, Anodized
Housing material, surface protection	Anodized
Material contacts	1-5. Switch position: Silver, gold plated
Plunger material	1-5. Switch position: Stainless steel (1.4034)

Mechanical Cam Switches
BNS 819-D05-D16-100-10
Order Code: BNS00JL



Mechanical data

Approach direction	longitudinal, parallel to attachment surface
Approach speed	1-5. Switch position: 40 m/min
Distance cam - reference edge	1-5. Switch position: 4.50...5.00 mm
Flange, feed-through	2 threaded exit M25
Installation	Vertical
Life expectancy mechanical	1-5. Switch position: 30 million Switching operations

Number of switching positions	5x Chisel
Plunger spacing 1st switch position	30 mm
Plunger style	1-5. switch position: Chisel
Switch actuation force	1-5. Switch position: 20 N
Switching element	1-5. Switch position: BSE 30.0

Range/Distance

Reproducibility	1-5. Switch position: ± 0.002 mm
Switch position spacing	16 mm

Wiring Diagrams

BSE 30.0

