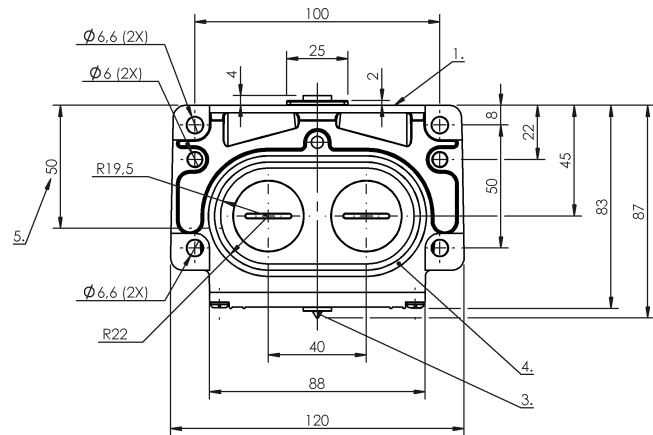
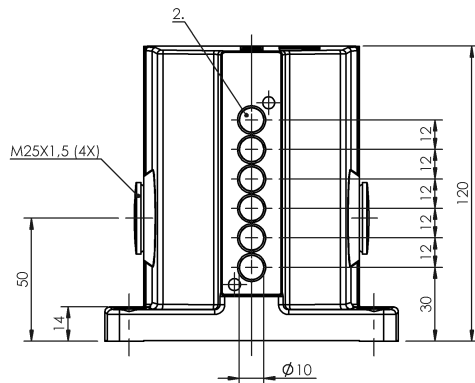


Mechanical Cam Switches
BNS 816-B06-KHG-12-602-11
 Order Code: BNS03AA

BALLUFF



1) Reference edge, 2) Sensing surface, 3) Function indicator FD/FE/LL, 4) Sealing ring, 5) Cable passage



Basic features

Approval/Conformity	CE WEEE
Basic standard	IEC 60947-5-2
DIN switch	DIN 43697
Operating principle	1-6. Switch position: Inductive
Version	Inductive

Display/Operation

Function indicator	1-6. Switch position: Optical fiber
---------------------------	-------------------------------------

Electrical connection

Connection type	1-6. Switch position: Screw terminal
Electrical version	2-wire

Electrical data

Continuous current	1-6. Switch position: 0.1 A
Rated operating voltage Ue	1-6. Switch position: 24 V DC

Environmental conditions

Ambient temperature	-25...70 °C
IP rating	IP67

Material

Housing material	Aluminum, Anodized
Housing material, surface protection	Anodized

Mechanical data

Distance cam - active surface	1-6. Switch position: 0...1.62 mm
Flange, feed-through	2 threaded exit M25
Installation	Vertical
Plunger spacing 1st switch position	30 mm
Switching element	1-6. Switch position: BES 517-560-H

Range/Distance

Assured operating distance Sa	1-6. Switch position: 1.6 mm
Range	2 mm
Rated operating distance Sn	1-6. Switch position: 2.0 mm
Switch position spacing	12 mm

Wiring Diagrams

