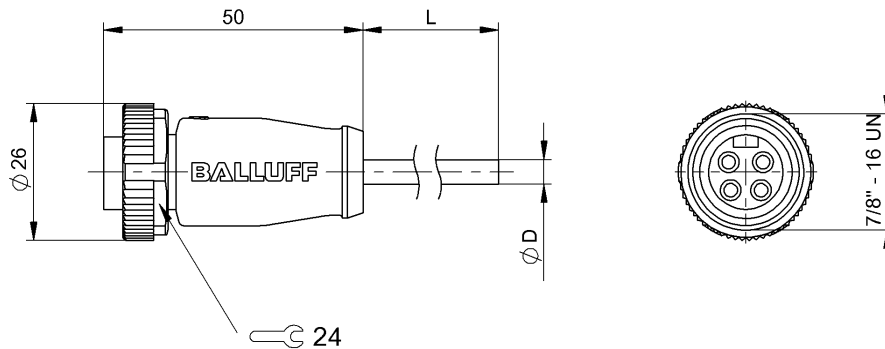


Single-Ended Cordsets

BCC A314-0000-10-003-VX44W6-050

Order Code: BCC090Y

BALLUFF



4MT5
(CYJV CABLE ASSEMBLY)



Basic features

Application	Operating voltage
Approval/Conformity	cULus EAC WEEE

Environmental conditions

Cable temperature, fixed routing	-40...105 °C
IP rating	IP67, IP68

Electrical connection

Cable	PVC Yellow, 5.00 m
Cable diameter D	10.67 mm ±0.25 mm
Conductor cross-section	16 AWG
Connection	7/8"-Female, Straight, 4-pin
Connector configuration	Straight
Number of conductors	4
Number of pins	4
System	Molded

Material

Cable jacket, material	PVC
Material contact carrier	PUR
Material contacts	Brass
Material cover nut	Die-cast zinc
Material grip	PUR

Mechanical data

Cable jacket, color	Yellow
Cable length L	5.00 m
Tightening torque pigtail	1.5 Nm

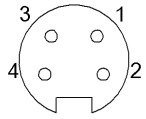
Electrical data

Operating voltage U_b	300 VDC / 300 VAC
Rated current (40 °C)	10.0 A

Remarks

Bulk cable: PVC UL listed, 16/4 ST00W/MaleOOW CSA 105°C 600 V
Enclosure rating per IEC 60529, only in screwed state with the associated mating piece.

Connector Drawings



PIN 1: brown

PIN 2: white

PIN 3: blue

PIN 4: black

Wiring Diagrams

