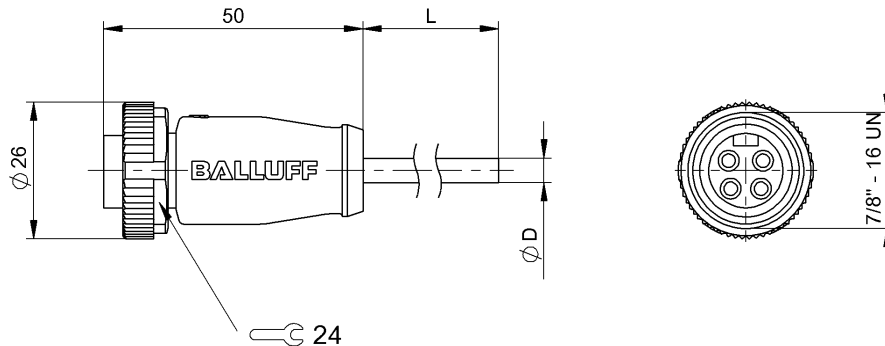


Single-Ended Cordsets

BCC A314-0000-10-072-VX44W6-020

Order Code: BCC092H

**BALLUFF**



4MT5  
(CYJV CABLE ASSEMBLY)



**Basic features**

<b>Application</b>	Operating voltage
<b>Approval/Conformity</b>	cULus EAC WEEE

**Environmental conditions**

<b>Cable temperature, fixed routing</b>	-40...105 °C
<b>IP rating</b>	IP67, IP68

**Electrical connection**

<b>Cable</b>	PVC Yellow, 2.00 m
<b>Cable diameter D</b>	10.67 mm ±0.25 mm
<b>Conductor cross-section</b>	16 AWG
<b>Connection</b>	7/8"-Female, Straight, 4-pin
<b>Connector configuration</b>	Straight
<b>Number of conductors</b>	4
<b>Number of pins</b>	4
<b>System</b>	Molded

**Material**

<b>Cable jacket, material</b>	PVC
<b>Material contact carrier</b>	PUR
<b>Material contacts</b>	Brass
<b>Material cover nut</b>	Die-cast zinc
<b>Material grip</b>	PUR

**Mechanical data**

<b>Cable jacket, color</b>	Yellow
<b>Cable length L</b>	2.00 m
<b>Tightening torque pigtail</b>	1.5 Nm

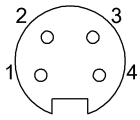
**Electrical data**

<b>Cable rated voltage AC max.</b>	600 V
<b>Cable rated voltage DC max.</b>	600 V
<b>Operating voltage Ub</b>	300 VDC / 300 VAC
<b>Rated current (40 °C)</b>	10.0 A

**Remarks**

Bulk cable: PVC UL listed, 16/4 ST00W/Male00W CSA 105°C 600 V  
Enclosure rating per IEC 60529, only in screwed state with the associated mating piece.

### Connector Drawings



PIN 1: black  
PIN 2: white  
PIN 3: red  
PIN 4: green

### Wiring Diagrams

