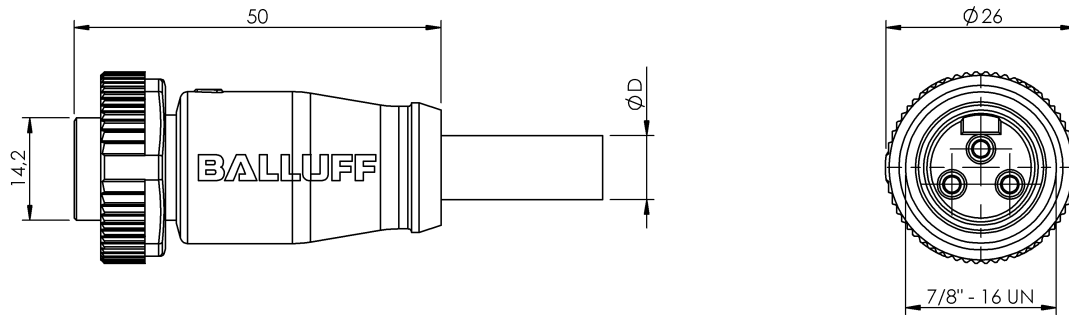


## Single-Ended Cordsets

BCC A313-0000-10-071-VX43W6-200

Order Code: BCC099K

# BALLUFF



4MT5  
(CYJV CABLE ASSEMBLY)



### Basic features

Approval/Conformity	cULus EAC WEEE
---------------------	----------------------

### Electrical connection

Cable	PVC Yellow, 20.00 m
Cable diameter D	10.24 mm ±0.20 mm
Conductor cross-section	16 AWG
Connection	7/8"-Female, Straight, 3-pin
Connector configuration	Straight
Number of conductors	3
Number of pins	3
System	Molded

### Electrical data

Cable rated voltage AC max.	600 V
Cable rated voltage DC max.	600 V
Operating voltage $U_b$	300 VDC / 300 VAC
Rated current (40 °C)	13.0 A

### Remarks

Bulk cable: PVC UL listing, 16/3 ST00W/ST00W CSA FT2 105°C 600 V  
Enclosure rating per IEC 60529, only in screwed state with the associated mating piece.

### Environmental conditions

Cable temperature, fixed routing	-40...105 °C
IP rating	IP67, IP68

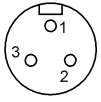
### Material

Cable jacket, material	PVC
Material contact carrier	PUR
Material contacts	Brass
Material cover nut	Die-cast zinc
Material grip	PUR

### Mechanical data

Cable jacket, color	Yellow
Cable length L	20.00 m
Tightening torque pigtail	1.5 Nm

## Connector Drawings



PIN 1: green

PIN 2: black

PIN 3: white

## Wiring Diagrams

1 \_\_\_\_\_

2 \_\_\_\_\_

3 \_\_\_\_\_