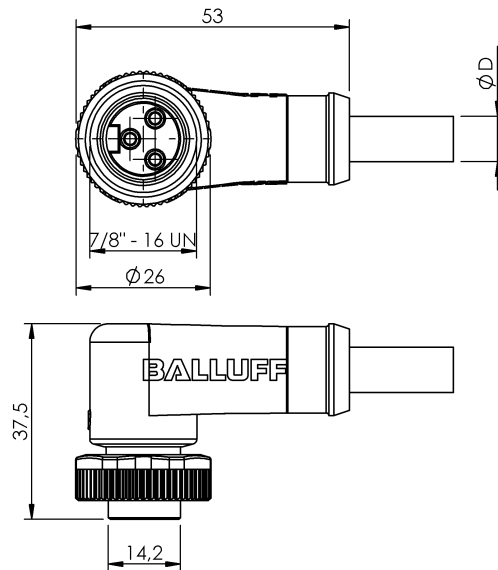


Single-Ended Cordsets

BCC A323-0000-10-071-VX43W6-100

Order Code: BCC099N

BALLUFF



4MT5
(CYJV CABLE ASSEMBLY)



Basic features

Approval/Conformity	cULus EAC WEEE
---------------------	----------------------

Electrical connection

Cable	PVC Yellow, 10.00 m
Cable diameter D	10.24 mm ±0.20 mm
Conductor cross-section	16 AWG
Connection	7/8"-Female, right-angle, 3-pin
Connector configuration	right-angle
Number of conductors	3
Number of pins	3
System	Molded

Electrical data

Cable rated voltage AC max.	600 V
Cable rated voltage DC max.	600 V
Operating voltage U_b	300 VDC / 300 VAC
Rated current (40 °C)	13.0 A

Remarks

Bulk cable: PVC UL listing, 16/3 STOOW/STOOW CSA FT2 105°C 600 V
Enclosure rating per IEC 60529, only in screwed state with the associated mating piece.

Environmental conditions

Cable temperature, fixed routing	-40...105 °C
IP rating	IP67, IP68

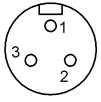
Material

Cable jacket, material	PVC
Material contact carrier	PUR
Material contacts	Brass
Material cover nut	Die-cast zinc
Material grip	PUR

Mechanical data

Cable jacket, color	Yellow
Cable length L	10.00 m
Tightening torque pigtail	1.5 Nm

Connector Drawings



PIN 1: green

PIN 2: black

PIN 3: white

Wiring Diagrams

1 _____

2 _____

3 _____