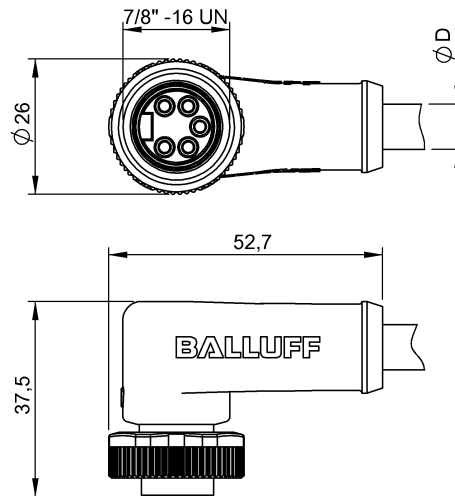


Single-Ended Cordsets

BCC A325-0000-10-063-VX45W6-050

Order Code: BCC09CT

BALLUFF



4MT5
(CYJV CABLE ASSEMBLY)



Basic features

Application	Operating voltage
Approval/Conformity	cULus EAC WEEE

Electrical connection

Cable	PVC Yellow, 5.00 m
Cable diameter D	12.58 mm ±0.25 mm
Conductor cross-section	16 AWG
Connection	7/8"-Female, right-angle, 5-pin
Connector configuration	right-angle
Number of conductors	5
Number of pins	5
System	Molded

Electrical data

Cable rated voltage AC max.	600 V
Cable rated voltage DC max.	600 V
Operating voltage Ub	300 VDC / 300 VAC
Rated current (40 °C)	9.0 A

Remarks

Bulk cable: PVC UL listed, 16/5 ST00W/ST00W CSA 105°C 600 V
Enclosure rating per IEC 60529, only in screwed state with the associated mating piece.

Environmental conditions

Cable temperature, fixed routing	-40...105 °C
IP rating	IP67, IP68

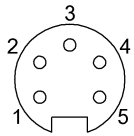
Material

Cable jacket, material	PVC
Material contact carrier	PUR
Material contacts	Brass
Material cover nut	Die-cast zinc
Material grip	PUR

Mechanical data

Cable jacket, color	Yellow
Cable length L	5.00 m
Tightening torque pigtail	1.5 Nm

Connector Drawings



- PIN 1: black
- PIN 2: blue
- PIN 3: green/yellow
- PIN 4: brown
- PIN 5: white

Wiring Diagrams

