

### Basic features

<b>Application</b>	DeviceNet Thin
<b>Approval/Conformity</b>	cULus EAC WEEE

### Electrical connection

<b>Bending radius min., fixed cable</b>	6 x D
<b>Bending radius min., flexible cable</b>	10 x D
<b>Cable</b>	PVC Shielded gray, 0.6 m
<b>Cable diameter D</b>	7.00 mm ±0.40 mm
<b>Conductor cross-section</b>	22 AWG/24 AWG
<b>Connection 1</b>	7/8"-Female, straight, 5-pole
<b>Connection 2</b>	7/8"-Male, straight, 5-pole
<b>Number of conductors</b>	4
<b>System</b>	Molded/Molded

### Electrical data

<b>Cable rated voltage AC max.</b>	300 V
<b>Cable rated voltage DC max.</b>	300 V
<b>Conductor construction</b>	2x2 twisted-pair
<b>Conductor resistance</b>	(AWG 24) 90 Ohm/km at 20 °C (AWG 22) 55 Ohm/km at 20 °C
<b>Isolation resistance</b>	≥ 20 MOhm x km at 20 °C
<b>Line attenuation at 1 MHz max.</b>	2.3 dB/100 m AWG 24
<b>Operating voltage Ub</b>	300 VDC / 300 VAC
<b>Rated current (40 °C)</b>	4.0 A
<b>Surge impedance</b>	120 Ohm ±12 Ohm/AWG24 1 MHz

### Environmental conditions

<b>Ambient temperature</b>	-20...80 °C
<b>Cable temperature, fixed routing</b>	-20...80 °C
<b>Protection degree</b>	IP67, IP68/IP67, IP68

### Material

<b>Cable jacket material, note</b>	Shielded
<b>Cable jacket, material</b>	PVC
<b>Cable shield</b>	Aluminum foil and copper braid
<b>Material contact carrier</b>	PUR/PUR
<b>Material contacts</b>	Brass/Brass
<b>Material cover nut</b>	Die-cast zinc/Die-cast zinc
<b>Material grip</b>	PUR/PUR

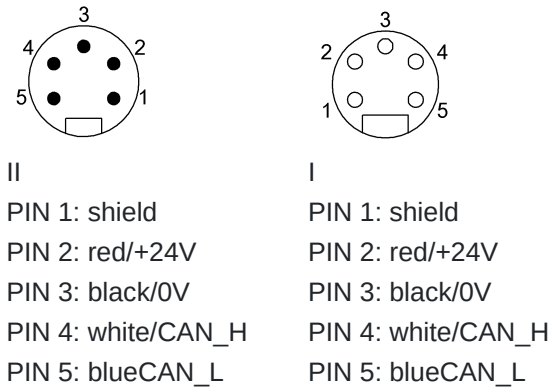
### Mechanical data

<b>Cable jacket, color</b>	gray
<b>Cable length L</b>	0.60 m
<b>Tightening torque pigtail</b>	1.5 Nm/1.5 Nm

**Remarks**

Cable construction acc. to CMG 75°C or CL2  
 Flame resistant per UL 1685 (CSA FT4)  
 Enclosure rating per IEC 60529, only in screwed state with the associated mating piece.

**Connector Drawings**



**Wiring Diagrams**

