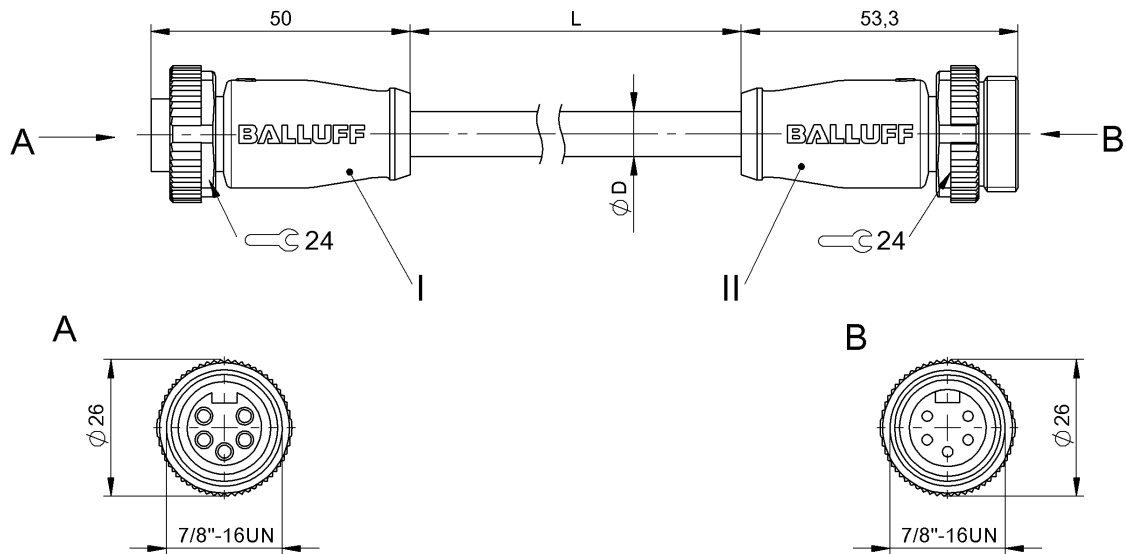


Double-Ended Cordsets  
**BCC A315-A315-30-330-VS85N6-100**  
 Order Code: BCC09YP

**BALLUFF**



4MT5  
(CYJV CABLE ASSEMBLY)



**Basic features**

Application	DeviceNet Thin
Approval/Conformity	cULus EAC WEEE

**Environmental conditions**

Ambient temperature	-20...80 °C
Cable temperature, fixed routing	-20...80 °C
Protection degree	IP67, IP68/IP67, IP68

**Electrical connection**

Bending radius min., fixed cable	6 x D
Bending radius min., flexible cable	10 x D
Cable	PVC Shielded gray, 10 m
Cable diameter D	7.00 mm ±0.40 mm
Conductor cross-section	22 AWG/24 AWG
Connection 1	7/8"-Female, straight, 5-pole
Connection 2	7/8"-Male, straight, 5-pole
Number of conductors	4
System	Molded/Molded

**Material**

Cable jacket material, note	Shielded
Cable jacket, material	PVC
Cable shield	Aluminum foil and copper braid
Material contact carrier	PUR/PUR
Material contacts	Brass/Brass
Material cover nut	Die-cast zinc/Die-cast zinc
Material grip	PUR/PUR

**Electrical data**

Cable rated voltage AC max.	300 V
Cable rated voltage DC max.	300 V
Conductor construction	2x2 twisted-pair
Conductor resistance	(AWG 24) 90 Ohm/km at 20 °C (AWG 22) 55 Ohm/km at 20 °C
Isolation resistance	≥ 20 MOhm x km at 20 °C
Line attenuation at 1 MHz max.	2.3 dB/100 m AWG 24
Operating voltage Ub	300 VDC / 300 VAC
Rated current (40 °C)	4.0 A
Surge impedance	120 Ohm ±12 Ohm/AWG24 1 MHz

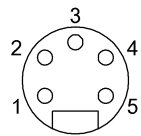
**Mechanical data**

Cable jacket, color	gray
Cable length L	10.00 m
Tightening torque pigtail	1.5 Nm/1.5 Nm

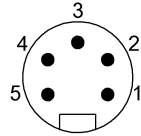
**Remarks**

Cable construction acc. to CMG 75°C or CL2  
 Flame resistant per UL 1685 (CSA FT4)  
 Enclosure rating per IEC 60529, only in screwed state with the associated mating piece.

**Connector Drawings**

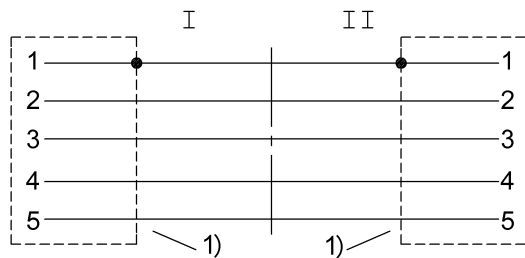


I  
 PIN 1: shield  
 PIN 2: red/+24V  
 PIN 3: black/0V  
 PIN 4: white/CAN\_H  
 PIN 5: blueCAN\_L



II  
 PIN 1: shield  
 PIN 2: red/+24V  
 PIN 3: black/0V  
 PIN 4: white/CAN\_H  
 PIN 5: blueCAN\_L

**Wiring Diagrams**



1) Shield on PIN 1