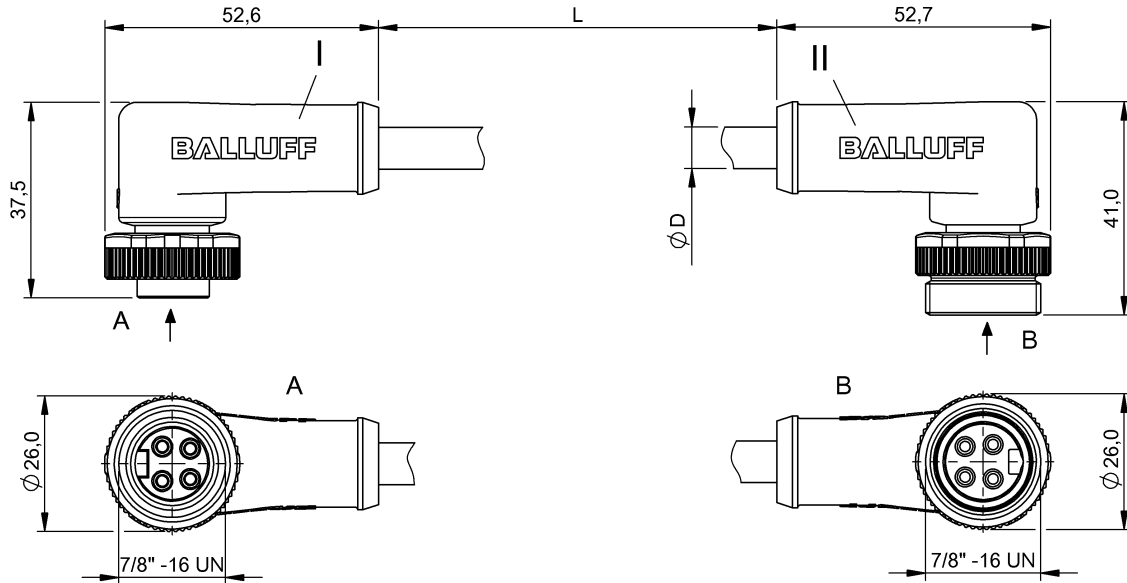


Double-Ended Cordsets
BCC A324-A324-30-304-EX44W6-100
 Order Code: **BCC0A9Y**

BALLUFF



4MT5
(CYJV CABLE ASSEMBLY)



Basic features

Approval/Conformity	cULus EAC WEEE
---------------------	----------------------

Electrical connection

Cable	TPE Yellow, 10.00 m
Cable diameter D	10.90 mm ±0.25 mm
Conductor cross-section	16 AWG
Connection 1	7/8"-Female, angled, 4-pin
Connection 2	7/8"-Male, angled, 4-pin
Number of conductors	4
System	Molded/Molded

Electrical data

Cable rated voltage AC max.	600 V
Cable rated voltage DC max.	600 V
Operating voltage U _b	300 VDC / 300 VAC
Rated current (40 °C)	10.0 A

Remarks

Cable construction acc. to UL-AWM Style 2037
 Enclosure rating per IEC 60529, only in screwed state with the associated mating piece.

Environmental conditions

Cable temperature, fixed routing	-40...105 °C
IP rating	IP67, IP68/IP67, IP68

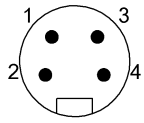
Material

Cable jacket, material	TPE
Material contact carrier	PUR/PUR
Material contacts	Brass/Brass
Material cover nut	Die-cast zinc/Die-cast zinc
Material grip	PUR/PUR

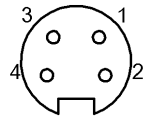
Mechanical data

Cable jacket, color	Yellow
Cable length L	10.00 m
Tightening torque pigtail	1.5 Nm/1.5 Nm

Connector Drawings



II
PIN 1: brown
PIN 2: white
PIN 3: blue
PIN 4: black



I
PIN 1: brown
PIN 2: white
PIN 3: blue
PIN 4: black

Wiring Diagrams

