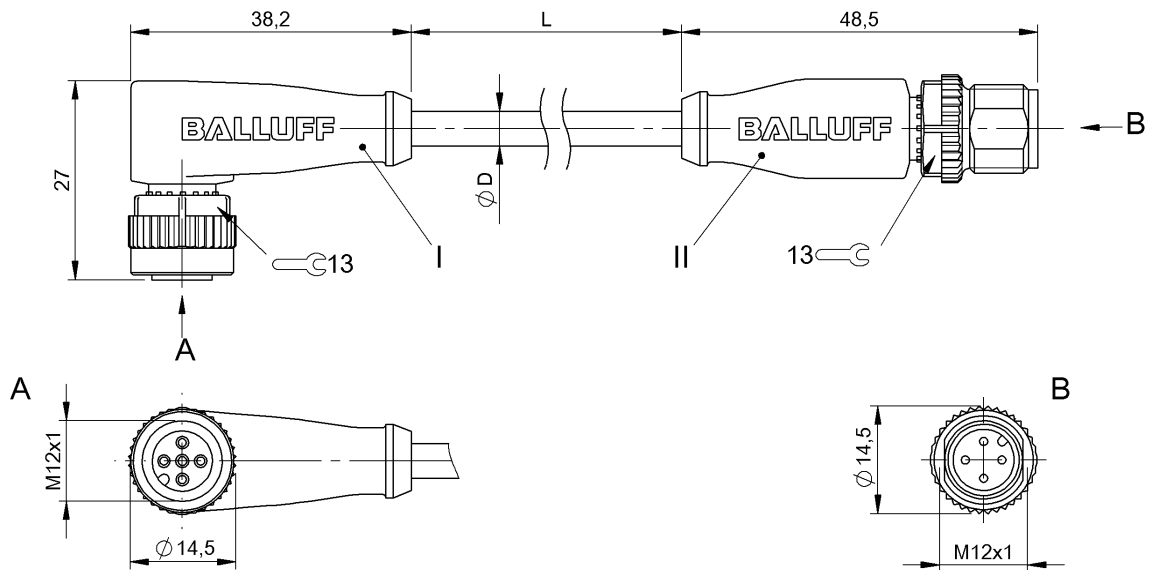


Double-Ended Cordsets  
**BCC M425-M414-3A-650-PW0434-006**  
 Order Code: BCC0ANF

**BALLUFF**



4MT5  
(CYJV CABLE ASSEMBLY)



**Basic features**

Application	Welding area
Approval/Conformity	CE cULus EAC WEEE

**Display/Operation**

Function indicator (Pin 2)	LED white
Function indicator (Pin 4)	LED yellow
Power indicator	LED green/no

**Electrical connection**

Bending radius min., fixed cable	5 x D
Bending radius min., flexible cable	10 x D
Cable	PUR welding spark resistant black, 0.60 m, Drag chain compatible
Cable diameter D	4.30 mm ±0.10 mm
Cable, bending cycles min.	10 million
Cable, torsion stress	±360°/m
Conductor cross-section	0.34 mm <sup>2</sup>
Connection 1	M12x1-Female, angled, 5-pin, A-coded
Connection 2	M12x1-Male, straight, 4-pin, A-coded
Number of conductors	4
System	Molded/Molded

**Electrical data**

Operating voltage U <sub>b</sub>	30 VDC
Rated current (40 °C)	4.0 A

**Environmental conditions**

Cable temperature UL max., fixed routing	80 °C
Cable temperature UL max., flexible routing	80 °C
Cable temperature, drag chain	-25...60 °C
Cable temperature, fixed routing	-50...90 °C
Cable temperature, flexible routing	-25...90 °C
Protection degree	IP67, IP68, IP69K/IP67, IP68, IP69K

**Material**

Cable jacket material, note	welding spark resistant
Cable jacket, material	PUR
Material contact carrier	PUR/PUR
Material contacts	Bronze/Brass
Material cover nut	Die-cast zinc/Die-cast zinc
Material grip	PUR/PUR

### Mechanical data

Acceleration max., drag chain	5 m/s <sup>2</sup>
Cable jacket, color	black
Cable length L	0.60 m
Cable properties	Drag chain compatible
Horizontal travel permitted, drag chain	5 m

Tightening torque pigtail	0.6 Nm/0.6 Nm
Traverse speed max., drag chain	200 m/min
Vertical travel permitted, drag chain	2 m

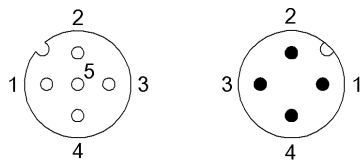
### Output/Interface

Switching output	PNP NO/NC antivalent
------------------	----------------------

### Remarks

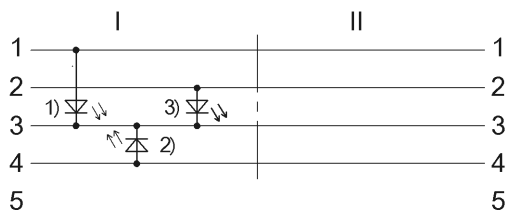
Cable construction acc. to UL-AWM Style 20549  
 Halogen-free per DIN VDE 0472 Part 815  
 Silicone-free  
 Flame resistance per UL FT2  
 Enclosure rating per IEC 60529 or 20653, only in screwed state with the associated mating piece.

### Connector Drawings



- |              |              |
|--------------|--------------|
| I            | II           |
| PIN 1: brown | PIN 1: brown |
| PIN 2: white | PIN 2: white |
| PIN 3: blue  | PIN 3: blue  |
| PIN 4: black | PIN 4: black |
| PIN 5: n.c.  |              |

### Wiring Diagrams



- 1) Green LED = Power
- 2) Yellow LED = Function
- 3) LED white = Function