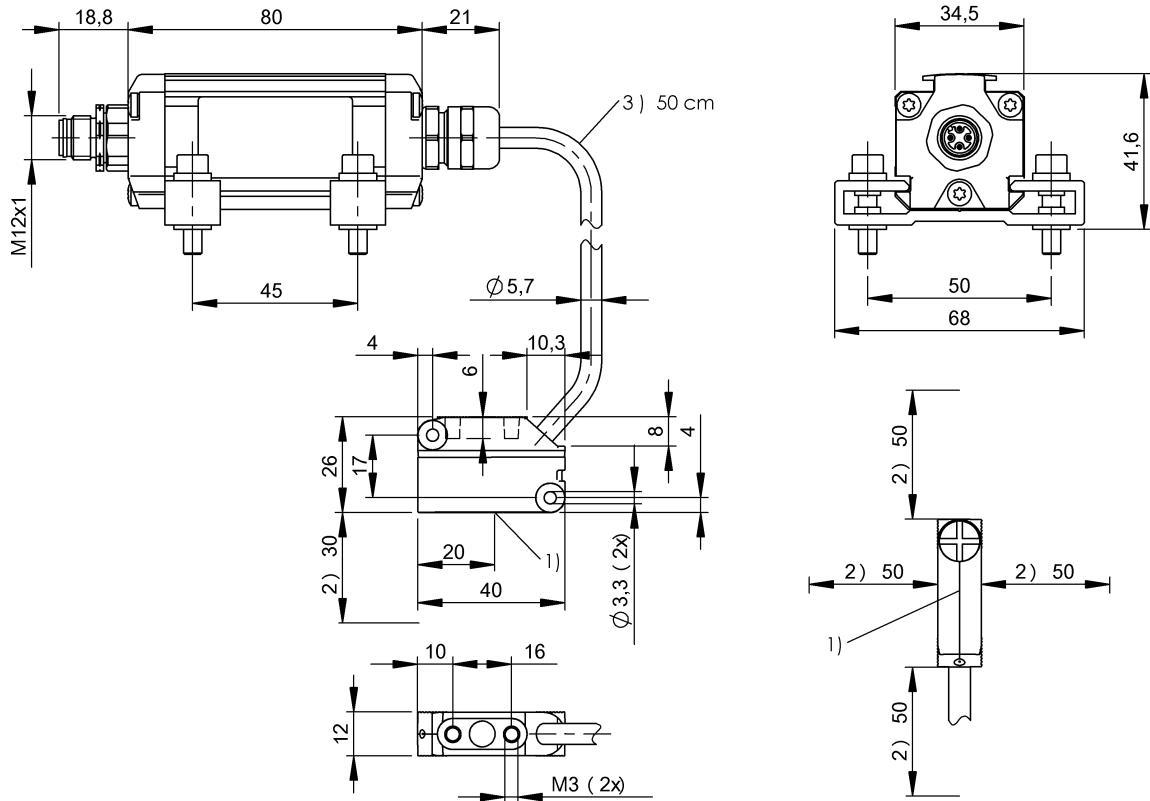


LF (125 kHz)
BIS VL-350-001-S4
 Order Code: BIS00UK

BALLUFF



1) Sensing surface, 2) Clear zone, 3) Cable length



Basic features

Antenna type	Rod
Approval/Conformity	CE WEEE EAC
EN 55011	Size 1, Cl. A
Principle of operation	Read/write head

Electrical connection

Bending radius min., fixed cable	5 x D
Bending radius min., flexible cable	10 x D
Cable diameter D	5.40 mm
Cable length L	0.5 m, Drag chain compatible
Cable, bending cycles min.	2 million
Connection	M12x1-Male, 4-pin
Connection type	0.50 m, PU

Environmental conditions

Ambient temperature	0...70 °C
Cable temperature, drag chain	-25...60 °C
Cable temperature, fixed routing	-50...80 °C
Continuous shock load	yes
EN 60068-2-27, Shock	yes
EN 60068-2-32 Free fall	yes
EN 60068-2-6, Vibration	yes
IP rating	IP67
Storage temperature	-20...85 °C

Material

Housing material	ABS, GF16, Interface aluminum
Jacket material	PU

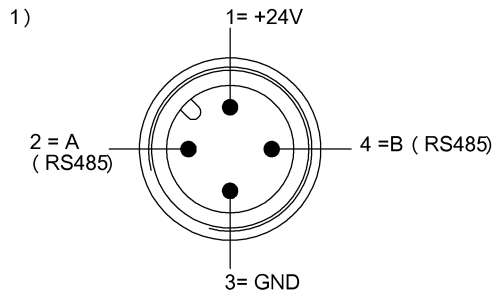
Mechanical data

Application weight	220.00 g
Dimension	12 x 26 x 40 mm
Installation	metal-free (clear zone)

Remarks

1) Data carrier parallel to sensing surface.
Use included fastening clamps for installation.
Values are under rated conditions unless otherwise specified.
For installation in metal: Observe clear zone.
For basic equipment: Accessories see www.balluff.com
Only together with BIS V-6xxx

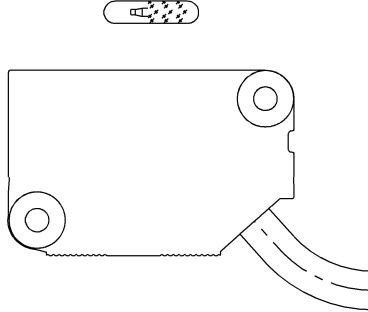
Connector Drawings



1) View towards connector

Help Views

1)



1) see remarks

BIS VL-350-__

	BIS L-150-05/A		BIS L-151/05/A		BIS L-150-05/A		BIS L-151/05/A	
	metallfrei	auf Stahl	on steel	Flush in steel	metallfrei	auf Stahl	on steel	Flush in steel
	0-17	0-24	0-24	0-24	0-15	0-15	0-15	0-15
passende Datenträger Appropriate data carriers								
Schreibabstand in mm Write distance in mm								
Leseabstand in mm Read distance in mm								
Versatz in mm bei Abstand von Offset in mm at distance	0	±18	±20	±24	0-15	±15	±15	±15
	3	±18	±20	±20	±15	±15	±15	±15
	7	±18	±20	±20	±15	±15	±15	±15
	8	±18	±20	±20	±15	±15	±15	±15
	10	±18	±20	±20	±15	±15	±15	±15
	12	±10	±20	±20	±8	±8	±8	±8
	15	±10	±20	±20	±8	±8	±8	±8
	18		±14	±14				
	20		±14	±14				
	24		±14	±14				
	30							
	35							
	40							
	45							
	50							
	55							
	60							
	70							