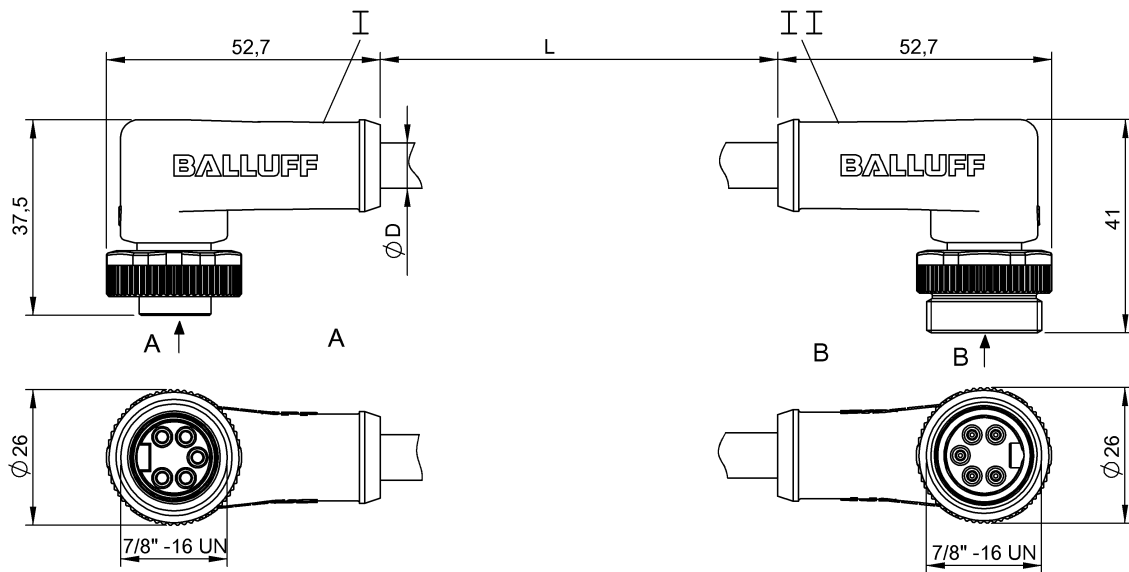


Double-Ended Cordsets
BCC A325-A325-30-335-PX05A5-010
 Order Code: BCC0CNZ

BALLUFF



4MT5
(CYJV CABLE ASSEMBLY)



Basic features

Approval/Conformity	CE cULus EAC WEEE
---------------------	----------------------------

Electrical connection

Bending radius min., fixed cable	7.5 x D
Bending radius min., flexible cable	10 x D
Cable	PUR black, 1 m, Drag chain compatible
Cable diameter D	8.70 mm ± 0.20 mm
Cable, bending cycles min.	5 million
Conductor cross-section	1.5 mm ²
Connection 1	7/8"-Female, right-angle, 5-pin
Connection 2	7/8"-Male, right-angle, 5-pin
Number of conductors	5
System	Molded/Molded

Electrical data

Cable rated voltage AC max.	600 V
Cable rated voltage DC max.	600 V
Operating voltage Ub	300 VDC / 300 VAC
Rated current (40 °C)	9.0 A

Environmental conditions

Cable temperature, fixed routing	-50...80 °C
Cable temperature, flexible routing	-20...80 °C
Protection degree	IP67, IP68/IP67, IP68

Material

Cable jacket, material	PUR
Material contact carrier	PUR/PUR
Material contacts	Brass/Brass
Material cover nut	Die-cast zinc/Die-cast zinc
Material grip	PUR/PUR

Mechanical data

Acceleration max., drag chain	5 m/s ²
Cable jacket, color	black
Cable length L	1.00 m
Cable properties	Drag chain compatible
Horizontal travel permitted, drag chain	20 m
Tightening torque pigtail	1.5 Nm/1.5 Nm
Traverse speed max., drag chain	300 m/min

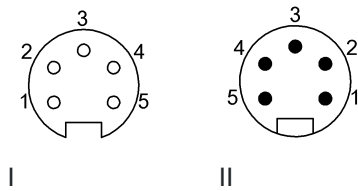
Output/Interface

Switching output	Complementary
------------------	---------------

Remarks

Cable construction acc. to UL-AWM Style 20234
Halogen-free
Silicone-free
Flame-retarding
Enclosure rating per IEC 60529, only in screwed state with the associated mating piece.

Connector Drawings



Wiring Diagrams

