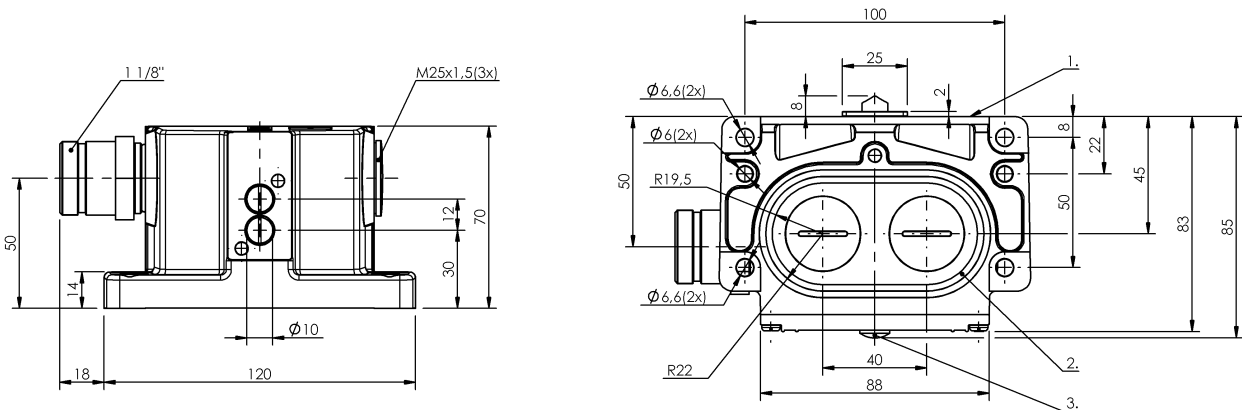


Mechanical Cam Switches
BNS 819-D02-D12-100-10-FD-S90L
 Order Code: BNS00A4

BALLUFF



1) Reference edge, 2) Sealing ring, 3) Function indicator FD/FE/LL



Basic features

Approval/Conformity	CE WEEE EAC
Basic standard	IEC 60947-5-1
DIN switch	DIN 43697
Operating principle	1-2. Switch position: Mechanical
Version	Snap contact

Display/Operation

Function indicator	1-2. Switch position: FD - 6...60 V
---------------------------	-------------------------------------

Electrical connection

Connection	1 1/8"-Flange male, 12-pin
Connection type	1. Switch position: Connector

Electrical data

Continuous current	1-2. Switch position: 5 A
Rated operating voltage Ue	1-2. Switch position: 6...60 V
Switching function mechanical	Double-interrupting galvanically isolated One NO and one NC Dual changeover
Switching rate	1-2. Switch position: 300/min

Environmental conditions

Ambient temperature	-5...85 °C
IP rating	IP67

Functional safety

B10d (EN ISO 13849-1)	BSE 30.0: 30 mil. Switching operations
------------------------------	--

Material

Housing material	Aluminum, Anodized
Housing material, surface protection	Anodized
Material contacts	1-2. Switch position: Silver, gold plated
Plunger material	1-2. Switch position: Stainless steel (1.4034)

Mechanical Cam Switches
BNS 819-D02-D12-100-10-FD-S90L
Order Code: BNS00A4

BALLUFF

Mechanical data

Approach direction	longitudinal, parallel to attachment surface
Approach speed	1-2. Switch position: 40 m/min
Distance cam - reference edge	1-2. Switch position: 4.50...5.00 mm
Flange, feed-through	2 threaded exit M25
Installation	Vertical

Life expectancy mechanical

1-2. Switch position: 30 million Switching operations

Number of switching positions

2x Chisel

Plunger style

1-2nd switch position: Chisel

Switch actuation force

1-2. Switch position: 20 N

Switching element

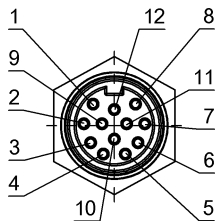
1-2. Switch position: BSE 30.0

Range/Distance

Reproducibility

1-2. Switch position: ± 0.002 mm

Connector Drawings



View of connector side

Wiring Diagrams

