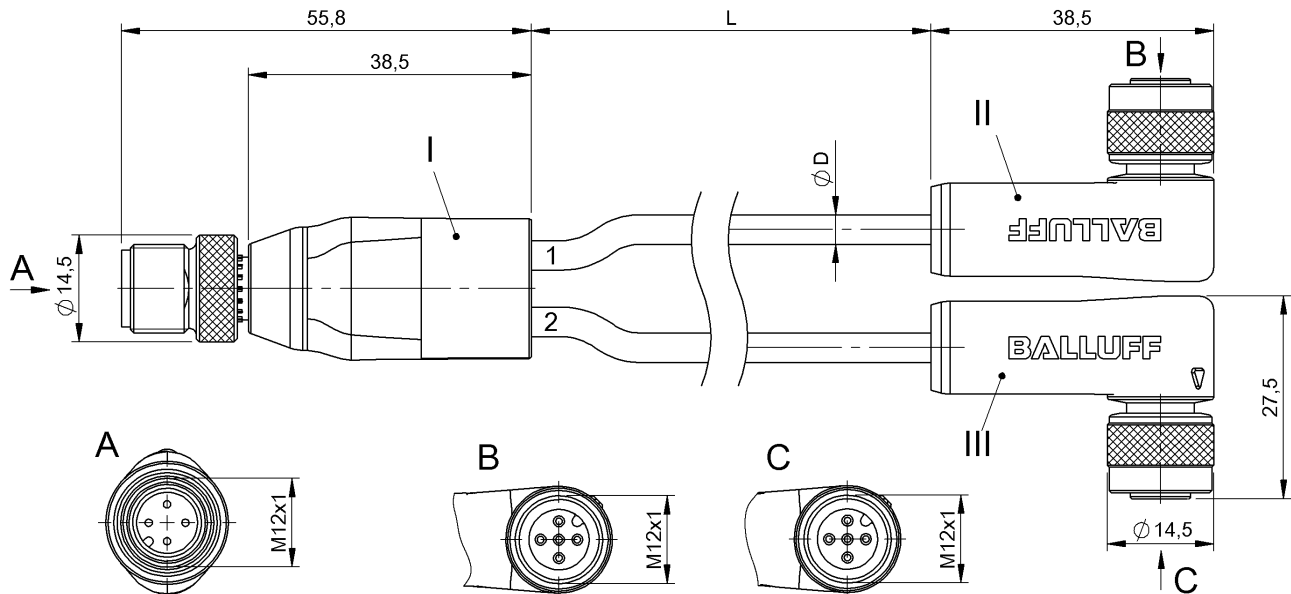


Y-Splitters

BCC W414-W425-W425-U2048-006

Order Code: BCC0EFK

BALLUFF



Basic features

Application	Welding area
Approval/Conformity	EAC WEEE

Environmental conditions

Cable temperature, fixed routing	-100...200 °C
IP rating	IP67, IP68, IP69K/IP67, IP68, IP69K

Electrical connection

Bending radius min., fixed cable	7.5 x D
Bending radius min., flexible cable	15 x D
Cable diameter D	3.75 mm ±0.25 mm
Conductor cross-section	0.34 mm ²
Connection 1	M12x1-Male, straight, 4-pin, A-coded
Connection 2	M12x1-Female, angled, 5-pin, A-coded
Connection 3	M12x1-Female, angled, 5-pin, A-coded
Connector 01, version	Straight
Connector 02, version	right-angle
Connector 03, version	right-angle
Number of conductors	3/3
Number of pins	4/5/5
System	Molded/Molded/Molded

Material

Cable jacket material, note	welding spark resistant
Cable jacket, material	FEP
Material contact carrier	PUR, special/PUR, special/PUR, special
Material contacts	Brass/Bronze/Bronze
Material cover nut	Brass PTFE coated/Brass PTFE coated/Brass PTFE coated
Material grip	PUR, special/PUR, special/PUR, special

Mechanical data

Cable jacket, color	black
Cable length L	0.60 m
Tightening torque pigtail	0.6 Nm/0.6 Nm/0.6 Nm

Electrical data

Operating voltage U _b	250 VDC / 250 VAC
Rated current (40 °C)	4.0 A

Remarks

Enclosure rating per IEC 60529, only in screwed state with the associated mating piece.
Cable construction acc. to UL-AWM Style 2749

Y-Splitters

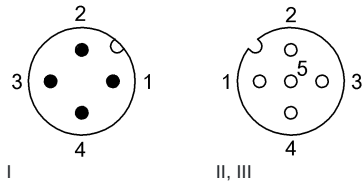
BCC W414-W425-W425-U2048-006

Order Code: BCC0EFK

BALLUFF

Maximum temperature at outer jacket from weld spatter/beads short-time 800°C.
Flame-retarding

Connector Drawings



Wiring Diagrams

