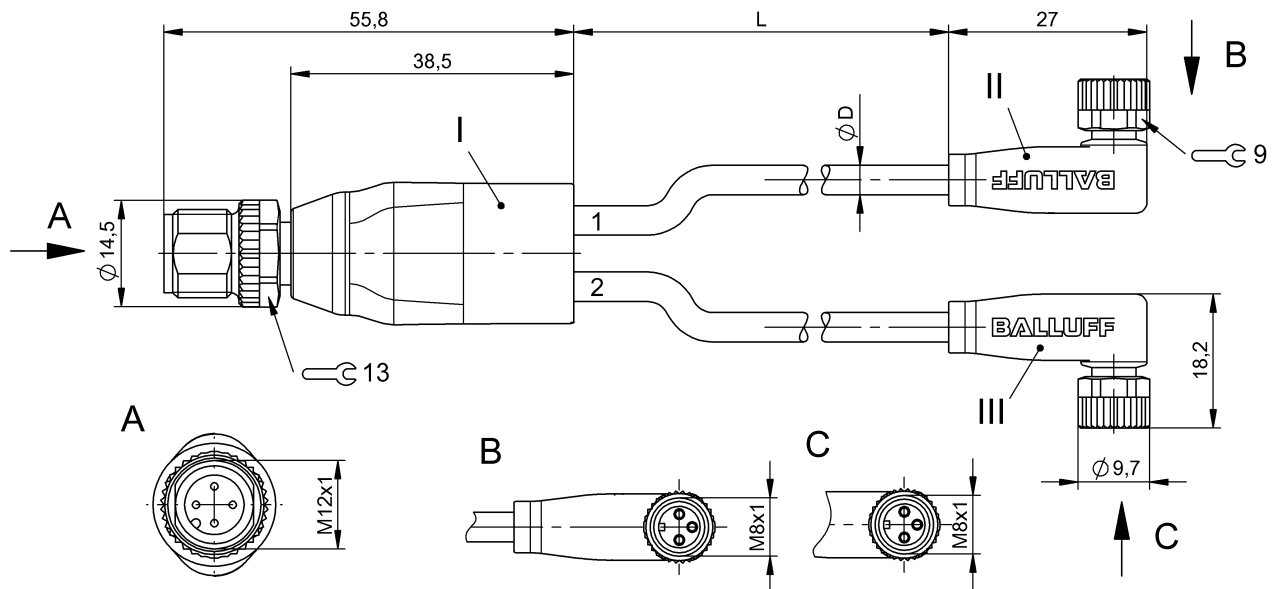


## Y-Splitters

BCC M414-M323-M323-U2058-030

Order Code: BCC0FA4

# BALLUFF



### Basic features

Approval/Conformity	CE EAC WEEE
---------------------	-------------------

### Display/Operation

Function indicator (Pin 4)	LED yellow/LED yellow
Power indicator	no/LED green/LED green

### Electrical connection

Bending radius min., fixed cable	5 x D
Bending radius min., flexible cable	10 x D
Cable diameter D	4.30 mm ±0.20 mm
Cable, bending cycles min.	5 million
Cable, torsion stress	±180°/m
Conductor cross-section	0.34 mm <sup>2</sup>
Connection 1	M12x1-Male, straight, 4-pin, A-coded
Connection 2	M8x1-Female, angled, 3-pin, A-coded
Connection 3	M8x1-Female, angled, 3-pin, A-coded
Connector 01, version	Straight
Connector 02, version	right-angle
Connector 03, version	right-angle
Number of conductors	3/3
Number of pins	4/3/3
System	Molded/Molded/Molded

### Electrical data

Operating voltage $U_b$	30 VDC / 30 VAC
Rated current (40 °C)	4.0 A

### Environmental conditions

Cable temperature UL max., fixed routing	80 °C
Cable temperature UL max., flexible routing	80 °C
Cable temperature, drag chain	-25...60 °C
Cable temperature, fixed routing	-50...90 °C
Cable temperature, flexible routing	-25...90 °C
IP rating	IP67, IP68, IP69K/IP67/IP67

### Material

Cable jacket, material	PUR
Material contact carrier	PUR/PUR/PUR
Material contacts	Brass/Bronze/Bronze
Material cover nut	Die-cast zinc/Die-cast zinc or nickel plated brass/Die-cast zinc or nickel plated brass
Material grip	PUR/PUR/PUR

## Y-Splitters

**BCC M414-M323-M323-U2058-030**

**Order Code: BCC0FA4**

# BALLUFF

### Mechanical data

Acceleration max., drag chain	5 m/s <sup>2</sup>
Cable jacket, color	black
Cable length L	3.00 m
Cable properties	Drag chain compatible

Horizontal travel permitted, drag chain	5 m
Tightening torque pigtail	0.6 Nm/0.4 Nm/0.4 Nm
Traverse speed max., drag chain	200 m/min
Vertical travel permitted, drag chain	5 m

### Remarks

Enclosure rating per IEC 60529, only in screwed state with the associated mating piece.

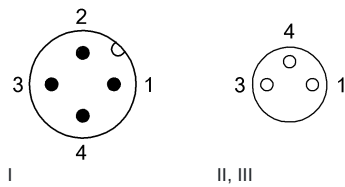
Halogen-free per DIN VDE 0472 Part 815

Cable construction acc. to UL-AWM Style 20549

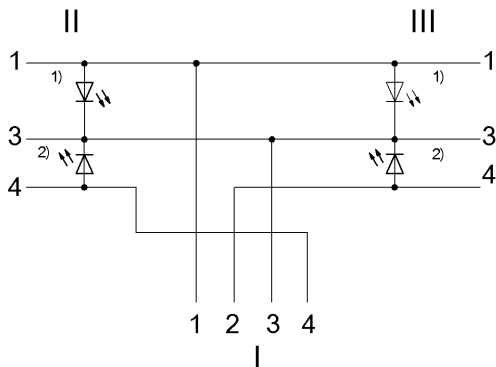
Flame resistance per IEC 60332-2-2

Silicone-free

### Connector Drawings



### Wiring Diagrams



- 1) Green LED = Power  
2) Yellow LED = Function