

1) Power green, 2) LED yellow for Signal 1 (NO), 3) LED yellow for Signal 2 (NC), 4) Slot numbering



## Basic features

Approval/Conformity	CE cULus EAC WEEE
Scope of delivery	Part labels (24x) Cover cap (2x)

## Display/Operation

Power indicator	Green LED
Switching function display	Yellow LED (8x)

## Electrical connection

Bending radius min., fixed cable	7.5 x D
Bending radius min., flexible cable	15 x D
Cable	PUR black, 10 m, Drag chain compatible
Cable diameter D	8.30 mm ±0.3 mm
Cable, bending cycles min.	2 million
Conductor cross-section	0.34 mm <sup>2</sup> + 1.0 mm <sup>2</sup>
Connection slots	4x M12x1-Female, 5-pin
Number of conductors	11

## Electrical data

Isolation resistance	≥ 10 GOhm
Operating voltage U <sub>b</sub>	10...30 VDC
Output current max.	4 A
Rated operating voltage U <sub>e</sub> DC	24 V
Total current max.	8 A

## Environmental conditions

Cable temperature, fixed routing	-40...80 °C
Cable temperature, flexible routing	-20...80 °C
IP rating	IP67, when threaded in

## Material

Cable jacket, material	PUR
Housing material	PBT, GF
Material contact carrier	PBT
Material contacts	Bronze (CuSn6), nickel layer

## Mechanical data

Acceleration max., drag chain	10 m/s <sup>2</sup>
Cable jacket, color	black
Cable length L	10.00 m
Cable properties	Drag chain compatible
Casting	yes
Dimension	105 x 58 x 25 mm
Horizontal travel permitted, drag chain	10 m at 10 m/s <sup>2</sup>
Mounting	M4 (3x)
Tightening torque	1.2 Nm ±0.2 (M4)
Tightening torque pigtail	0.6 Nm + 0.1 Nm (M12 connector)
Traverse speed max., drag chain	3 m/s

## Output/Interface

Switching output	NPN normally open/normally closed (NO/NC)
------------------	---

## Junction blocks

**BPI 4M4A5N-2K-B0-KPXB0-100**

**Order Code: BPI00A3**

# BALLUFF

### Remarks

Cable construction acc. to UL-AWM Style 20549/10493

Flame resistance per IEC 60332-1-2

Flame resistance per UL 758/1581 FT2

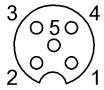
Halogen-free per DIN VDE 0472 Part 815

Halogen-free acc. to IEC 60754-1

Oil resistant per DIN EN 60811-404 (VDE 0473-811-404)

Enclosure rating per IEC 60529, only in screwed state with the associated mating piece.

### Connector Drawings



I/O ports

PIN 1: +24V

PIN 2: Normally closed

PIN 3: 0V

PIN 4: Normally open

PIN 5: PE

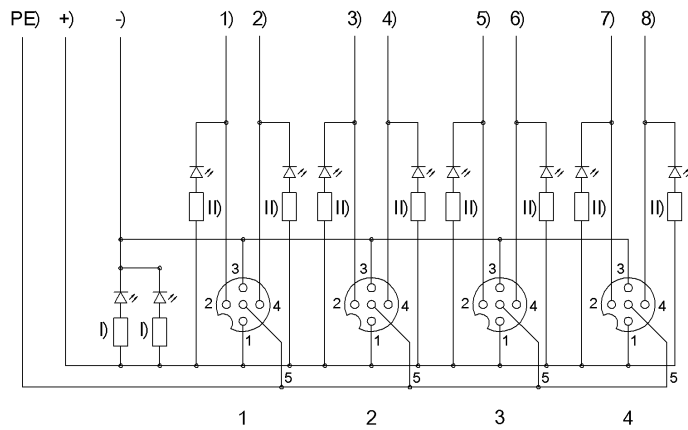
## Junction blocks

**BPI 4M4A5N-2K-B0-KPXB0-100**

**Order Code: BPI00A3**

# BALLUFF

### Wiring Diagrams



- ) blue 1.00 mm<sup>2</sup>
- +) brown 1.00 mm<sup>2</sup>
- 1) gray/pink
- 2) white
- 3) red/blue
- 4) green
- 5) white/green
- 6) yellow
- 7) brown/green
- 8) gray
- I) LED green
- II) LED yellow
- PE) green/yellow 1.00 mm<sup>2</sup>