

1) Display and control panel



Basic features

Additional features	Auto-Synchronization prevents undesired signal cross-talk for max. 3 adjacently mounted amplifiers.
Approval/Conformity	CE EAC WEEE
Basic standard	IEC 60947-5-2
Principle of operation	Signal amplifier
Series	SA-OH
Style	Square Straight connection

Display/Operation

Adjuster	Slide switch 4 positions
Display	Output function- LED yellow LED green: Power Error - LED green, flashing Signal strength - segment display
Setting	Sensitivity (Sn) Light-on/dark-on Teach Sn Read direction for segment display Segment display on/off Key disable on/off Factory setting (Reset) Alarm threshold Teach mode Aut/Fine/1-Pt/2-Pt Hysteresis (4 levels) Integration time 4...128 ms Upper and lower threshold Delay time

Photoelectric Sensors
BAE SA-OH-039-PP-DV02
Order Code: BAE00NL



Electrical connection

Cable diameter D	3.70 mm
Cable length L	2 m
Conductor cross-section	0.14 mm ²
Connection	Cable, 2.00 m, PVC
Contact, surface protection	Gold plated
Number of conductors	5
Polarity reversal protected	yes
Short-circuit protection	yes

Electrical data

Input function	Teach Sn
No-load current I _{o max.} at U _e	45 mA
Operating voltage U _b	10...30 VDC
Rated operating current I _e	200 mA
Rated operating voltage U _{e DC}	24 V
Switching frequency	500 Hz
Turn-off delay t _{off max.}	1 ms
Turn-on delay t _{on max.}	1 ms
Voltage drop U _{d max.} at I _e	2 V

Environmental conditions

Ambient temperature	-10...55 °C
IP rating	IP65

Material

Housing material	ABS
	PC
Material jacket	PVC

Mechanical data

Dimension	15 x 36 x 61 mm
Mounting	Screw M3 DIN rail 35 mm

Optical features

Principle of optical operation	depends on sensor head
Switching function, optical	Light/dark switching

Output/Interface

Duration of time function	T = 0...250 ms
Supplementary output	Error output PNP
Switch function, supplementary output	Normally open (NO)
Switching output	PNP normally open/normally closed (NO/NC)
Time function	switch-off delay Turn-on delay

Range/Distance

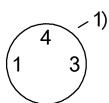
Range	depends on sensor head
-------	------------------------

Remarks

The sensor is functional again after the overload has been eliminated.
 For additional information, refer to user's guide.
 DIN rail included, order other accessories separately.

Connector Drawings

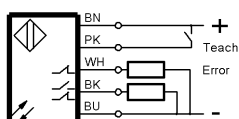
ss094



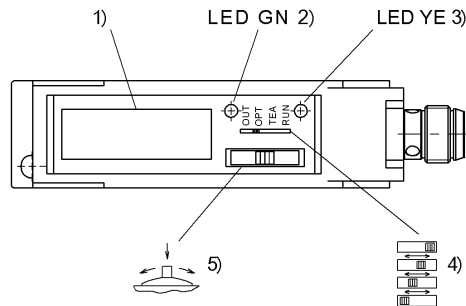
1) Sensor connection

Wiring Diagrams

51 55400001 .SLDDRW



Help Views



- 1) Display
- 2) Stability
- 3) Output function
- 4) Slide switch operating modes
- 5) Jog-Switch

Opto Symbols

