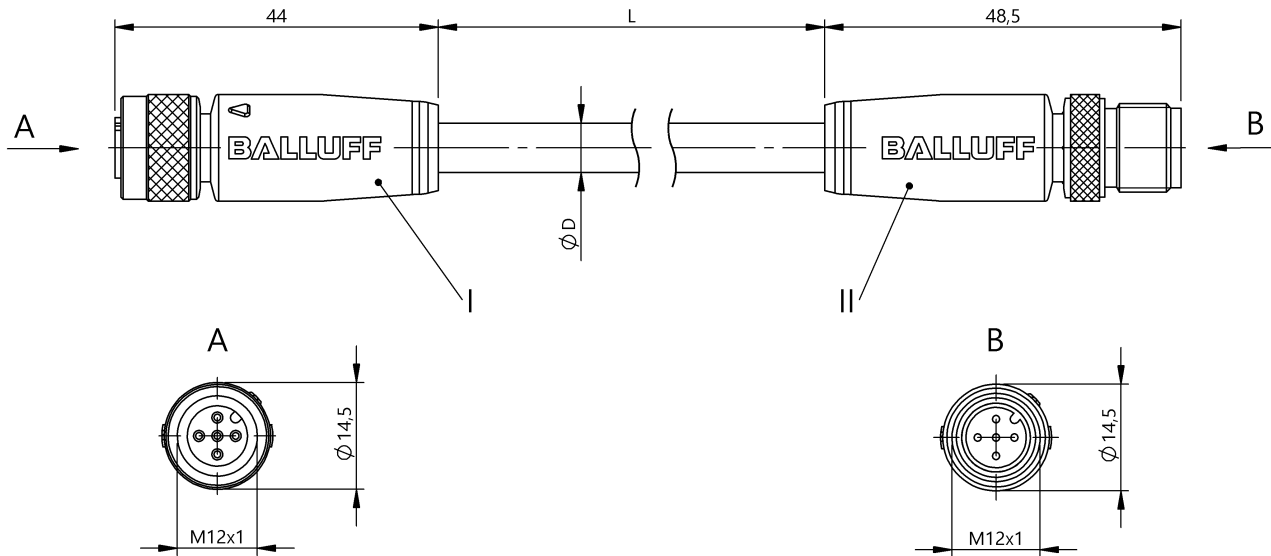


Double-Ended Cordsets
BCC M415-M415-3A-330-VS85N6-040
 Order Code: BCC0FMY

BALLUFF



Basic features

Application	DeviceNet Thin
Approval/Conformity	CE cULus EAC WEEE

Environmental conditions

Ambient temperature	-20...80 °C
Cable temperature, fixed routing	-20...80 °C
IP rating	IP67, IP68, IP69K/IP67, IP68, IP69K

Electrical connection

Bending radius min., fixed cable	6 x D
Bending radius min., flexible cable	10 x D
Cable	PVC Shielded gray, 4.00 m
Cable diameter D	7.00 mm ±0.40 mm
Conductor cross-section	22 AWG/24 AWG
Connection 1	M12x1-Female, straight, 5-pin, A-coded
Connection 2	M12x1-Male, straight, 5-pin, A-coded
Number of conductors	4
System	Molded/Molded

Material

Cable jacket material, note	Shielded
Cable jacket, material	PVC
Cable shield	Aluminum foil and copper braid
Material contact carrier	PUR/PUR
Material contacts	Bronze/Brass
Material cover nut	Die-cast zinc/Die-cast zinc
Material grip	PUR/PUR

Mechanical data

Cable jacket, color	gray
Cable length L	4.00 m
Tightening torque pigtail	0.6 Nm/0.6 Nm

Electrical data

Cable rated voltage AC max.	300 V
Cable rated voltage DC max.	300 V
Conductor construction	2x2 twisted-pair
Conductor resistance	(AWG 24) 90 Ohm/km at 20 °C (AWG 22) 55 Ohm/km at 20 °C
Coupling resistance max.	120 Ohm ±12 Ohm
Operating voltage Ub	60 VDC / 60 VAC
Rated current (40 °C)	4.0 A

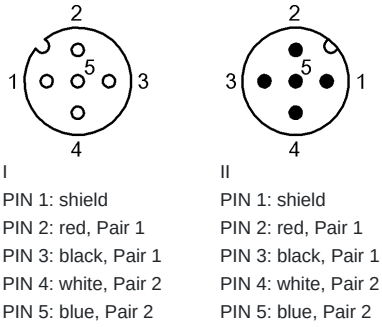
Double-Ended Cordsets
BCC M415-M415-3A-330-VS85N6-040
Order Code: BCC0FMY



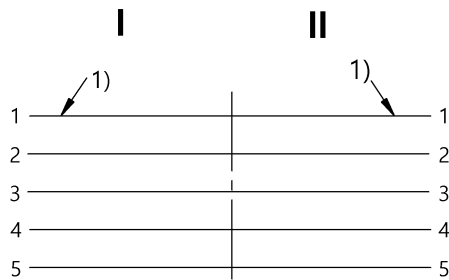
Remarks

Cable construction acc. to CMG 75°C or CL2
 Flame resistant per UL 1685 (CSA FT4)
 Enclosure rating per IEC 60529 or 20653, only in screwed state with the associated mating piece.

Connector Drawings



Wiring Diagrams



1) Shield on PIN 1