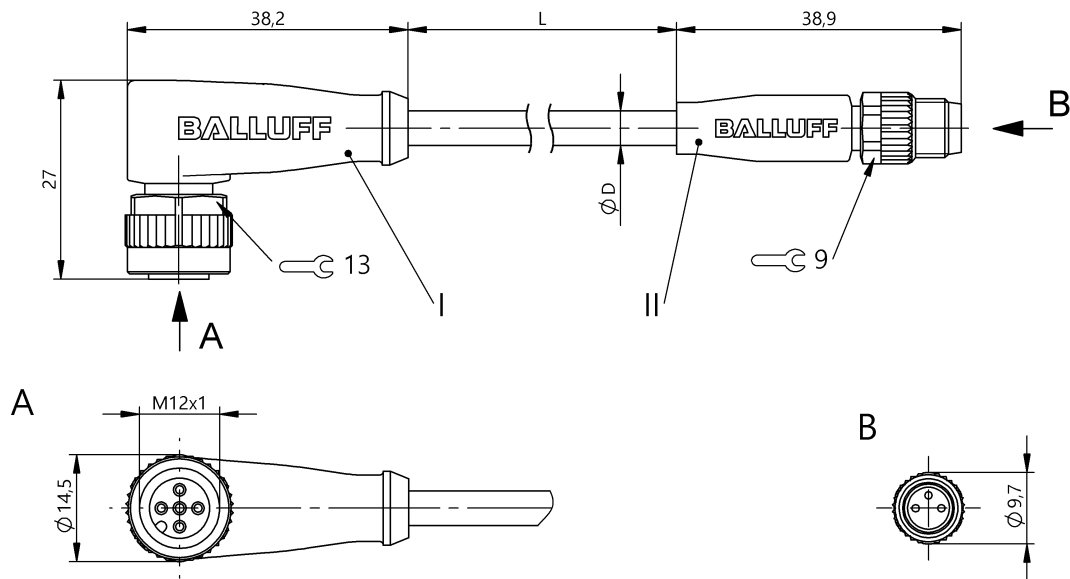


Double-Ended Cordsets
BCC M425-M313-3F-602-PX43T2-015
 Order Code: BCC0H7H

BALLUFF



Basic features

Approval/Conformity	CE cULus EAC WEEE
---------------------	----------------------------

Display/Operation

Function indicator (Pin 4)	LED yellow
Power indicator	LED green/no

Electrical connection

Bending radius min., fixed cable	5 x D
Bending radius min., flexible cable	10 x D
Cable	PUR yellow, 1.5 m, Drag chain compatible
Cable diameter D	4.30 mm ±0.20 mm
Cable, bending cycles min.	5 million
Conductor cross-section	22 AWG
Connection 1	M12x1-Female, angled, 5-pin, A-coded
Connection 2	M8x1-Male, straight, 3-pin, A-coded
Number of conductors	3
System	Molded/Molded

Electrical data

Cable rated voltage AC max.	300 V
Cable rated voltage DC max.	300 V
Operating voltage Ub	30 VDC
Rated current (40 °C)	4.0 A

Environmental conditions

Cable temperature UL max., fixed routing	80 °C
Cable temperature UL max., flexible routing	80 °C
Cable temperature, fixed routing	-50...90 °C
Cable temperature, flexible routing	-25...90 °C
IP rating	IP67, IP68, IP69K/IP67, IP69K

Material

Cable jacket, material	PUR
Material contact carrier	PUR/PUR
Material contacts	Bronze/Brass
Material cover nut	Die-cast zinc/Die-cast zinc or nickel plated brass
Material grip	PUR/PUR

Mechanical data

Acceleration max., drag chain	5 m/s ²
Cable jacket, color	Yellow
Cable length L	1.50 m
Cable properties	Drag chain compatible
Horizontal travel permitted, drag chain	5 m
Tightening torque pigtail	0.6 Nm/0.4 Nm
Traverse speed max., drag chain	200 m/min
Vertical travel permitted, drag chain	2 m

Output/Interface

Switching output	PNP normally open (NO)
------------------	------------------------

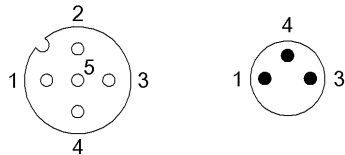
Double-Ended Cordsets
BCC M425-M313-3F-602-PX43T2-015
Order Code: BCC0H7H



Remarks

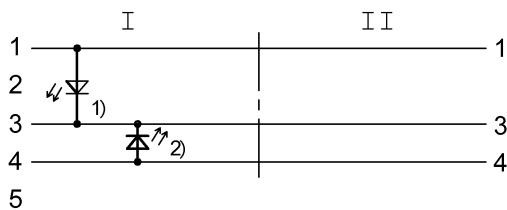
Bulk cable approval per UL+CSA, UL-AWM Style 21198 or 20549
 Halogen-free per DIN VDE 0472 Part 815
 Flame resistance acc. to FT1
 Enclosure rating per IEC 60529 or 20653, only in screwed state with the associated mating piece.

Connector Drawings



- | | |
|---|--|
| <p>I</p> <p>PIN 1: brown</p> <p>PIN 2: n.c.</p> <p>PIN 3: blue</p> <p>PIN 4: black</p> <p>PIN 5: n.c.</p> | <p>II</p> <p>PIN 1: brown</p> <p>PIN 3: blue</p> <p>PIN 4: black</p> |
|---|--|

Wiring Diagrams



- 1) Green LED = Power
 2) Yellow LED = Function