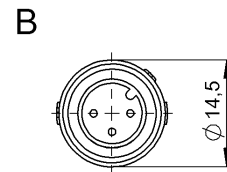
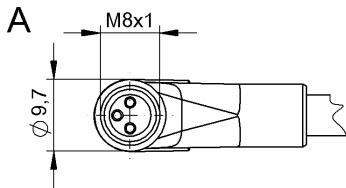
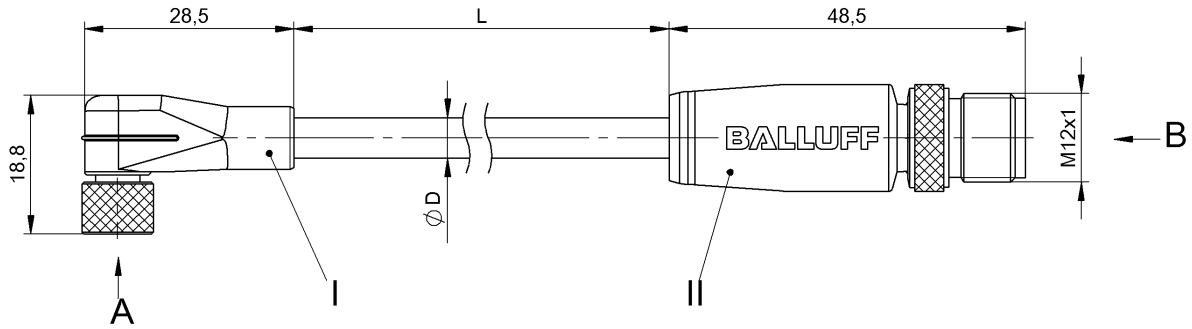


Double-Ended Cordsets
BCC W323-W413-3E-300-SW0434-006
 Order Code: BCC0HCH

BALLUFF



4MT5
(CYJV CABLE ASSEMBLY)

Basic features

Application	Welding area
Approval/Conformity	CE cULus EAC WEEE

Electrical connection

Bending radius min., fixed cable	10 x D
Bending radius min., flexible cable	15 x D
Cable	Silicone welding spark resistant black, 0.6 m
Cable diameter D	5.70 mm \pm 0.25 mm
Conductor cross-section	0.34 mm ²
Connection 1	M8x1-Female, angled, 3-pin, A-coded
Connection 2	M12x1-Male, straight, 3-pin, A-coded
Number of conductors	4
System	Molded/Molded

Electrical data

Operating voltage U_b	60 VDC / 60 VAC
Rated current (40 °C)	4.0 A

Remarks

Cable construction acc. to UL-AWM Style 4535
 Halogen-free per IEC 60754
 Maximum temperature at outer jacket from weld spatter/beads short-time 800°C.
 Enclosure rating per IEC 60529, only in screwed state with the associated mating piece.

Environmental conditions

Cable temperature UL max., fixed routing	150 °C
Cable temperature UL max., flexible routing	150 °C
Cable temperature, fixed routing	-40...200 °C
Cable temperature, flexible routing	-25...200 °C
Protection degree	IP65/IP65

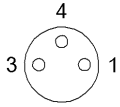
Material

Cable jacket material, note	welding spark resistant
Cable jacket, material	Silicone
Material contact carrier	PUR, special/PUR, special
Material contacts	Bronze/Brass
Material cover nut	Brass PTFE coated/Brass PTFE coated
Material grip	PUR, special/PUR, special

Mechanical data

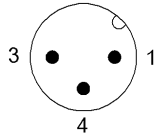
Cable jacket, color	black
Cable length L	0.60 m
Tightening torque pigtail	0.4 Nm/0.6 Nm

Connector Drawings



I

PIN 1: brown
PIN 3: blue
PIN 4: black



II

PIN 1: brown
PIN 3: blue
PIN 4: black

Wiring Diagrams

