

Basic features

Approval/Conformity	CE EAC WEEE
Scope of delivery	Holder Short guide

Display/Operation

IO-Link communication indicator	Green LED
Module supply indicator	Green LED

Electrical connection

Cable diameter D	3.4 mm
Cable length L	0.3 m
Connection	M12x1-Male, 4-pin, A-coded
Connection type	Cable with connector, 0.30 m, PUR

Electrical data

Data storage	14*64 Bytes
IO-Link function	Remote memory module for operating data
Operating voltage U_b	18...30.2 VDC
Rated operating voltage U_e DC	24 V

Environmental conditions

Ambient temperature	-25...70 °C
IP rating	IP67 when threaded in
Storage temperature	-25...85 °C

Functional safety

MTTF (40 °C)	98 a
---------------------	------

Material

Housing material	PP
Material jacket	PUR

Mechanical data

Dimension	16 x 8 x 34 mm
Tightening torque	0.2 Nm

Output/Interface

Cycle time min.	2.0 ms
IO-Link version	1.1
Interface	IO-Link 1.1

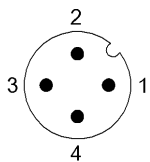
Remarks

See short guide

For more information about MTTF and B10d see MTTF / B10d Certificate

Indication of the MTTF- / B10d value does not represent a binding composition and/or life expectancy assurance; these are simply experiential values with no warranty implications. These declared values also do not extend the expiration period for defect claims or affect it in any way.

Connector Drawings



IO-Link

PIN 1: +24V

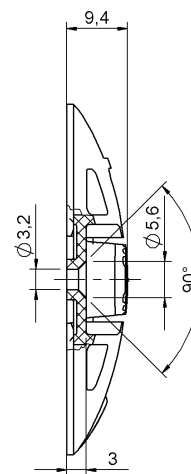
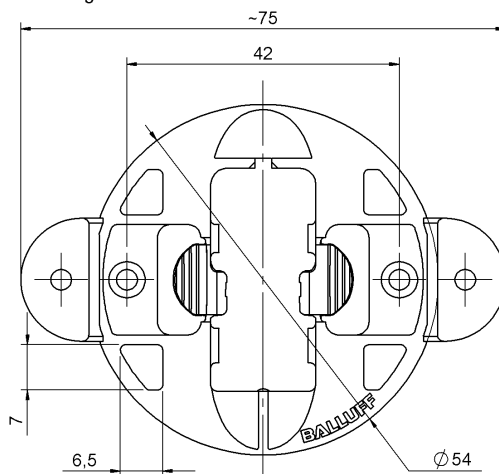
PIN 2: n.c.

PIN 3: GND

PIN 4: C/Q, IO-Link DC-Channel

Help Views

Zubehör - Halter
 Accessories - Mounting frame



Werkstoff Halter: PP
 Material mounting frame: PP