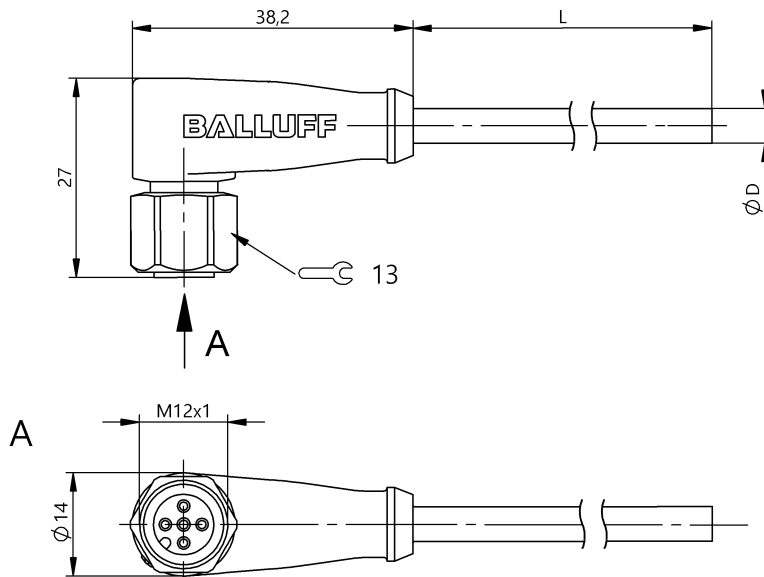


Single-Ended Cordsets

BCC S425-0000-1A-003-EX44T2-050

Order Code: BCC0CC5

BALLUFF



Basic features

Approval/Conformity	cULus EAC Ecolab WEEE
---------------------	--------------------------------

Environmental conditions

Cable temperature, fixed routing	-50...105 °C
Cable temperature, flexible routing	-25...105 °C
IP rating	IP67, IP68, IP69K

Electrical connection

Bending radius min., fixed cable	5 x D
Bending radius min., flexible cable	10 x D
Cable	TPE Yellow, 5.00 m, Drag chain compatible
Cable diameter D	5.30 mm ±0.13 mm
Cable, bending cycles min.	10 million
Conductor cross-section	22 AWG
Connection	M12x1-Female, right-angle, 5-pin, A-coded
Connector configuration	right-angle
Number of conductors	4
Number of pins	5
System	Molded

Material

Cable jacket, material	TPE
Material contact carrier	PUR
Material contacts	Bronze
Material cover nut	Stainless steel (1.4404)
Material grip	PUR

Mechanical data

Cable jacket, color	Yellow
Cable length L	5.00 m
Cable properties	Drag chain compatible
Tightening torque pigtail	0.6 Nm

Electrical data

Cable rated voltage AC max.	300 V
Cable rated voltage DC max.	300 V
Operating voltage Ub	250 VDC / 250 VAC
Rated current (40 °C)	4.0 A

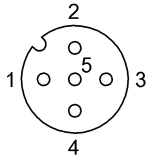
Output/Interface

Switching output	Complementary
------------------	---------------

Remarks

Cable construction acc. to UL-AWM Style 20327
 Flame resistance acc. to IEC 332-2
 Enclosure rating per IEC 60529 or 20653, only in screwed state with the associated mating piece.

Connector Drawings



PIN 1: brown
PIN 2: white
PIN 3: blue
PIN 4: black

Wiring Diagrams

