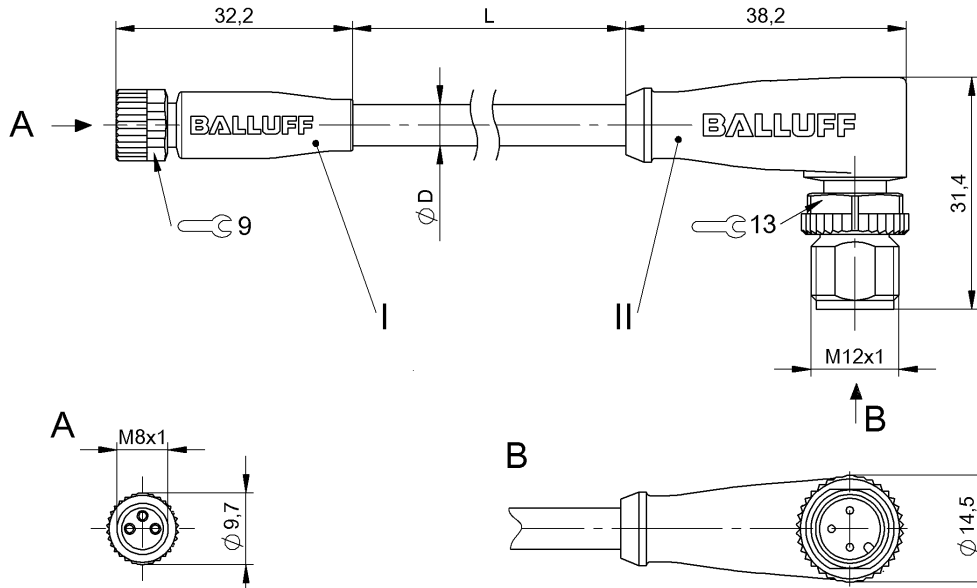


Double-Ended Cordsets
BCC M313-M423-3E-300-EX43T2-010
 Order Code: BCC053H

BALLUFF



4MT5
(CYJV CABLE ASSEMBLY)



Basic features

| | |
|---------------------|----------------------------|
| Approval/Conformity | CE cULus EAC WEEE |
|---------------------|----------------------------|

Electrical data

| | |
|-----------------------------|-----------------|
| Cable rated voltage AC max. | 300 V |
| Cable rated voltage DC max. | 300 V |
| Operating voltage U_b | 60 VDC / 60 VAC |
| Rated current (40 °C) | 4.0 A |

Electrical connection

| | |
|-------------------------------------|---|
| Bending radius min., fixed cable | 5 x D |
| Bending radius min., flexible cable | 10 x D |
| Cable | TPE Yellow, 1.00 m, Drag chain compatible |
| Cable diameter D | 5.30 mm ±0.13 mm |
| Cable, bending cycles min. | 10 million |
| Conductor cross-section | 22 AWG |
| Connection 1 | M8x1-Female, straight, 3-pin, A-coded |
| Connection 2 | M12x1-Male, angled, 3-pin, A-coded |
| Number of conductors | 3 |
| System | Molded/Molded |

Environmental conditions

| | |
|-------------------------------------|-------------------------------|
| Cable temperature, fixed routing | -50...105 °C |
| Cable temperature, flexible routing | -25...105 °C |
| IP rating | IP67, IP69K/IP67, IP68, IP69K |

Material

| | |
|--------------------------|--|
| Cable jacket, material | TPE |
| Material contact carrier | PUR/PUR |
| Material contacts | Bronze/Brass |
| Material cover nut | Die-cast zinc or nickel plated brass/Die-cast zinc |
| Material grip | TPU/TPU |

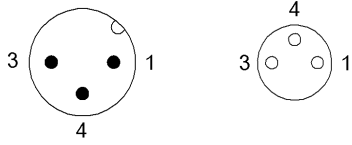
Mechanical data

| | |
|---------------------------|-----------------------|
| Cable jacket, color | Yellow |
| Cable length L | 1.00 m |
| Cable properties | Drag chain compatible |
| Tightening torque pigtail | 0.4 Nm/0.6 Nm |

Remarks

Cable construction acc. to UL-AWM Style 20327
 Flame resistance acc. to IEC 332-2
 Enclosure rating per IEC 60529 or 20653, only in screwed state with the associated mating piece.

Connector Drawings



| | |
|--------------|--------------|
| II | I |
| PIN 1: brown | PIN 1: brown |
| PIN 3: blue | PIN 3: blue |
| PIN 4: black | PIN 4: black |

Wiring Diagrams

