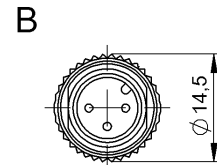
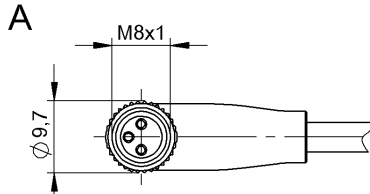
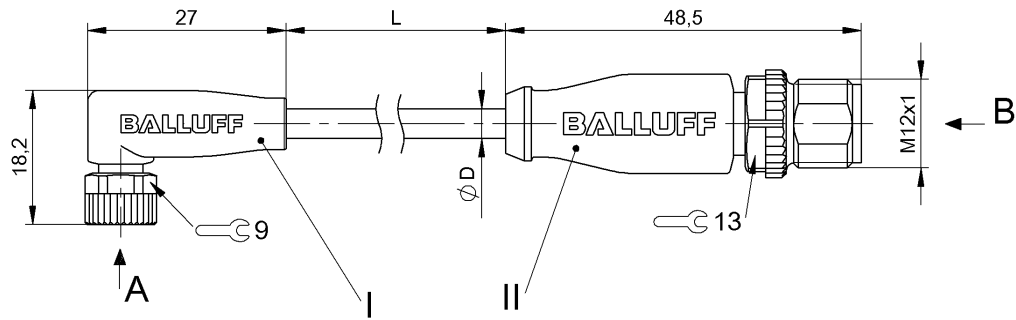


Double-Ended Cordsets  
**BCC M323-M413-3E-602-EX43T2-020**  
 Order Code: BCC0AAT

# BALLUFF



4MT5  
(CYJV CABLE ASSEMBLY)



### Basic features

Approval/Conformity	CE cULus EAC WEEE
---------------------	----------------------------

### Display/Operation

Function indicator (Pin 4)	LED yellow
Power indicator	LED green/no

### Electrical connection

Bending radius min., fixed cable	5 x D
Bending radius min., flexible cable	10 x D
Cable	TPE yellow, 2 m, Drag chain compatible
Cable diameter D	5.30 mm ±0.13 mm
Cable, bending cycles min.	10 million
Conductor cross-section	22 AWG
Connection 1	M8x1-Female, angled, 3-pin, A-coded
Connection 2	M12x1-Male, straight, 3-pin, A-coded
Number of conductors	3
System	Molded/Molded

### Electrical data

Cable rated voltage AC max.	300 V
Cable rated voltage DC max.	300 V
Operating voltage $U_b$	30 VDC
Rated current (40 °C)	4.0 A

### Environmental conditions

Cable temperature, fixed routing	-50...105 °C
Cable temperature, flexible routing	-25...105 °C
IP rating	IP67, IP69K/IP67, IP68, IP69K

### Material

Cable jacket, material	TPE
Material contact carrier	PUR/PUR
Material contacts	Bronze/Brass
Material cover nut	Die-cast zinc or nickel plated brass/Die-cast zinc
Material grip	PUR/PUR

### Mechanical data

Cable jacket, color	Yellow
Cable length L	2.00 m
Cable properties	Drag chain compatible
Tightening torque pigtail	0.4 Nm/0.6 Nm

### Output/Interface

Switching output	PNP normally open (NO)
------------------	------------------------

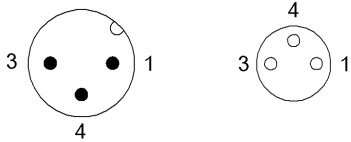
**Remarks**

Cable construction acc. to UL-AWM Style 20327

Flame resistance acc. to IEC 332-2

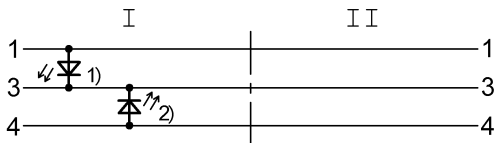
Enclosure rating per IEC 60529 or 20653, only in screwed state with the associated mating piece.

**Connector Drawings**



II	I
PIN 1: brown	PIN 1: brown
PIN 3: blue	PIN 3: blue
PIN 4: black	PIN 4: black

**Wiring Diagrams**



1) Green LED = Power  
 2) Yellow LED = Function