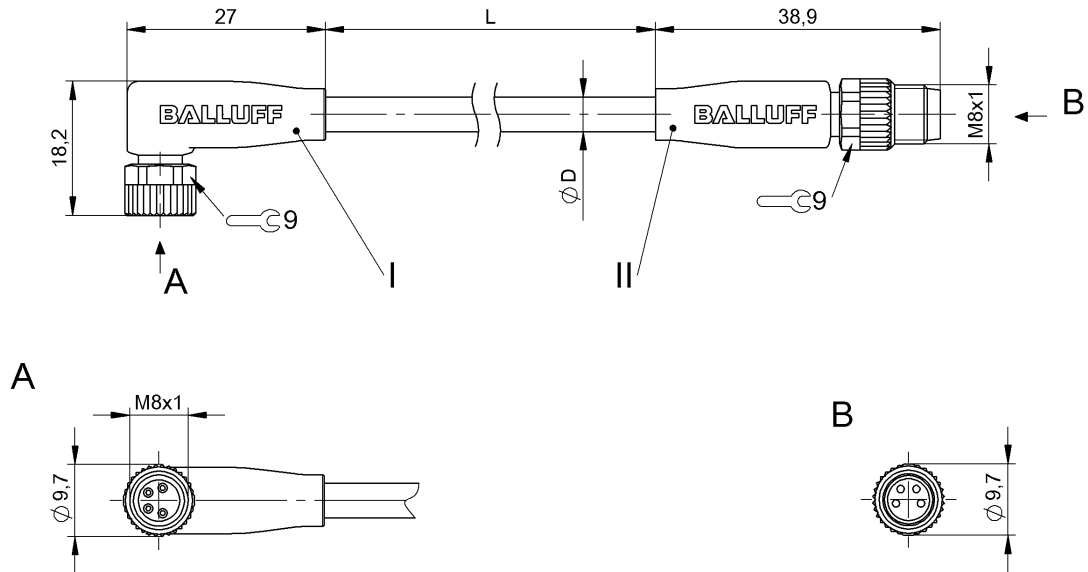


Double-Ended Cordsets
BCC M324-M314-30-607-EX44T2-010
 Order Code: BCC05AK

BALLUFF



Basic features

Approval/Conformity	CE cULus EAC WEEE
---------------------	----------------------------

Electrical data

Cable rated voltage AC max.	300 V
Cable rated voltage DC max.	300 V
Operating voltage U_b	30 VDC
Rated current (40 °C)	4.0 A

Display/Operation

Function indicator (Pin 4)	LED yellow
Power indicator	LED green/no

Environmental conditions

Cable temperature, fixed routing	-50...105 °C
Cable temperature, flexible routing	-25...105 °C
IP rating	IP67, IP69K/IP67, IP69K

Electrical connection

Bending radius min., fixed cable	5 x D
Bending radius min., flexible cable	10 x D
Cable	TPE Yellow, 1.00 m, Drag chain compatible
Cable diameter D	5.30 mm ±0.13 mm
Cable, bending cycles min.	10 million
Conductor cross-section	22 AWG
Connection 1	M8x1-Female, angled, 4-pin, A-coded
Connection 2	M8x1-Male, straight, 4-pin, A-coded
Number of conductors	4
System	Molded/Molded

Material

Cable jacket, material	TPE
Material contact carrier	PUR/PUR
Material contacts	Bronze/Brass
Material cover nut	Die-cast zinc or nickel plated brass/Die-cast zinc or nickel plated brass
Material grip	TPU/TPU

Mechanical data

Cable jacket, color	Yellow
Cable length L	1.00 m
Cable properties	Drag chain compatible
Tightening torque pigtail	0.4 Nm/0.4 Nm

Output/Interface

Switching output	NPN
------------------	-----

Double-Ended Cordsets
BCC M324-M314-30-607-EX44T2-010
Order Code: BCC05AK



Remarks

Cable construction acc. to UL-AWM Style 20327

Flame resistance acc. to IEC 332-2

Enclosure rating per IEC 60529 or 20653, only in screwed state with the associated mating piece.

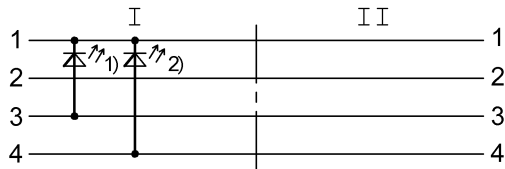
Connector Drawings



II

I

Wiring Diagrams



- 1) Green LED = Power
- 2) Yellow LED = Function