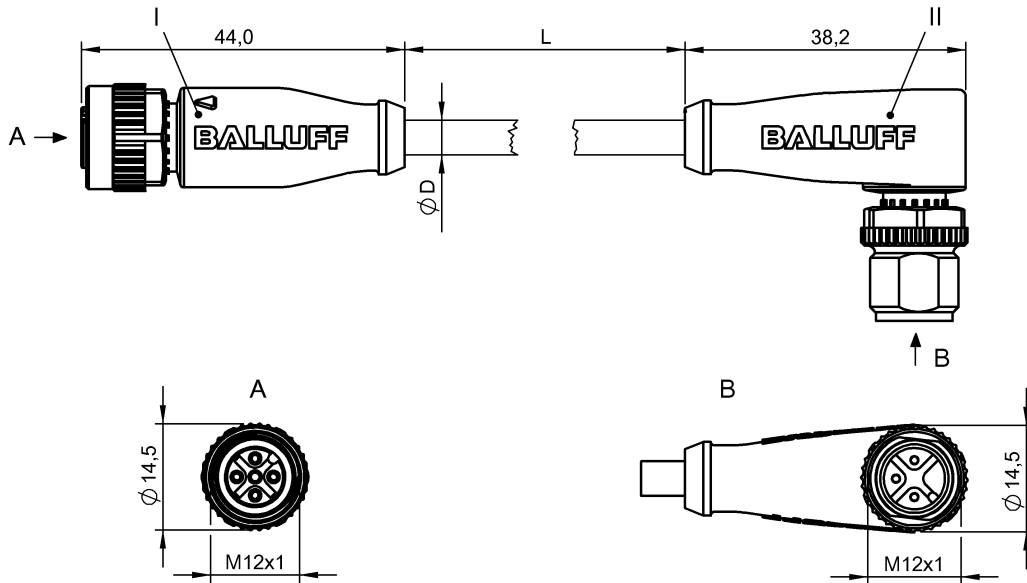


Double-Ended Cordsets  
**BCC M415-M423-3A-300-EX43T2-015**  
 Order Code: BCC0C90

# BALLUFF



4MT5  
(CYJV CABLE ASSEMBLY)



## Basic features

Approval/Conformity	cULus EAC WEEE
---------------------	----------------------

## Electrical connection

Bending radius min., fixed cable	5 x D
Bending radius min., flexible cable	10 x D
Cable	TPE Yellow, 1.50 m, Drag chain compatible
Cable diameter D	5.30 mm ±0.13 mm
Cable, bending cycles min.	10 million
Conductor cross-section	22 AWG
Connection 1	M12x1-Female, straight, 5-pin, A-coded
Connection 2	M12x1-Male, angled, 3-pin, A-coded
Number of conductors	3
System	Molded/Molded

## Electrical data

Cable rated voltage AC max.	300 V
Cable rated voltage DC max.	300 V
Operating voltage $U_b$	250 VDC / 250 VAC
Rated current (40 °C)	4.0 A

## Remarks

Cable construction acc. to UL-AWM Style 20327  
 Flame resistance acc. to IEC 332-2  
 Enclosure rating per IEC 60529 or 20653, only in screwed state with the associated mating piece.

## Environmental conditions

Cable temperature, fixed routing	-50...105 °C
Cable temperature, flexible routing	-25...105 °C
IP rating	IP67, IP68, IP69K/IP67, IP68, IP69K

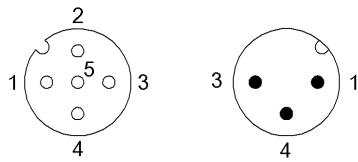
## Material

Cable jacket, material	TPE
Material contact carrier	PUR/PUR
Material contacts	Bronze/Brass
Material cover nut	Die-cast zinc/Die-cast zinc
Material grip	TPU/TPU

## Mechanical data

Cable jacket, color	Yellow
Cable length L	1.50 m
Cable properties	Drag chain compatible
Tightening torque pigtail	0.6 Nm/0.6 Nm

### Connector Drawings



I  
 PIN 1: brown  
 PIN 2: n.c.  
 PIN 3: blue  
 PIN 4: black  
 PIN 5: n.c.

II  
 PIN 1: brown  
 PIN 3: blue  
 PIN 4: black

### Wiring Diagrams

