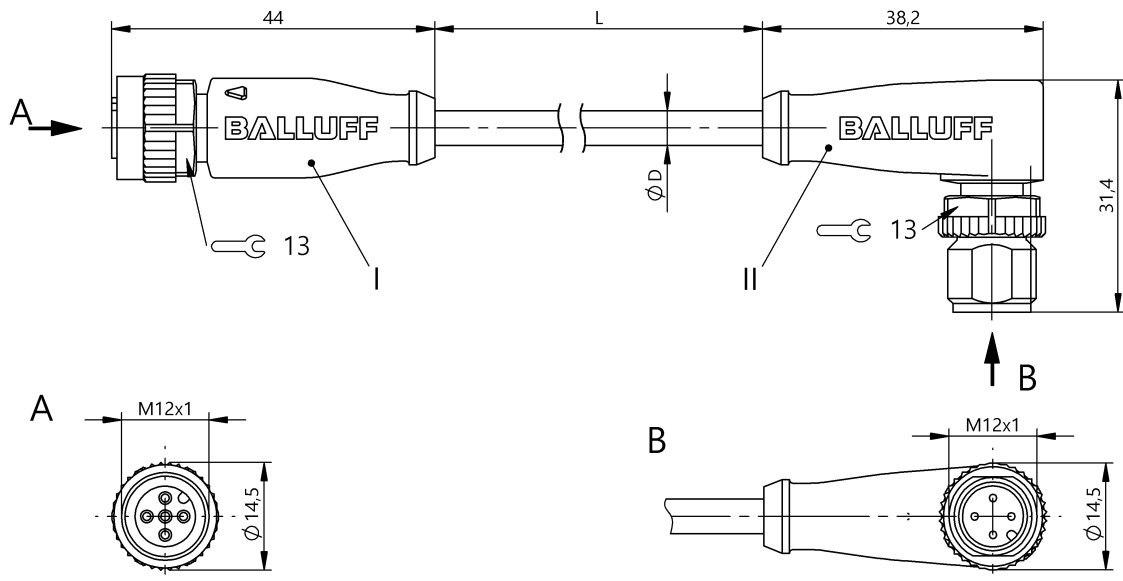


Double-Ended Cordsets
BCC M415-M424-3A-304-EX44T2-003
 Order Code: BCC05NU

BALLUFF



4MT5
(CYJV CABLE ASSEMBLY)



Basic features

Approval/Conformity	cULus EAC WEEE
---------------------	----------------------

Electrical connection

Bending radius min., fixed cable	5 x D
Bending radius min., flexible cable	10 x D
Cable	TPE yellow, 0.3 m, Drag chain compatible
Cable diameter D	5.30 mm ±0.13 mm
Cable, bending cycles min.	10 million
Conductor cross-section	22 AWG
Connection 1	M12x1-Female, straight, 5-pin, A-coded
Connection 2	M12x1-Male, angled, 4-pin, A-coded
Number of conductors	4
System	Molded/Molded

Electrical data

Cable rated voltage AC max.	300 V
Cable rated voltage DC max.	300 V
Operating voltage Ub	250 VDC / 250 VAC
Rated current (40 °C)	4.0 A

Remarks

Cable construction acc. to UL-AWM Style 20327
 Flame resistance acc. to IEC 332-2
 Enclosure rating per IEC 60529 or 20653, only in screwed state with the associated mating piece.

Environmental conditions

Cable temperature, fixed routing	-50...105 °C
Cable temperature, flexible routing	-25...105 °C
Protection degree	IP67, IP68, IP69K/IP67, IP68, IP69K

Material

Cable jacket, material	TPE
Material contact carrier	PUR/PUR
Material contacts	Bronze/Brass
Material cover nut	Die-cast zinc/Die-cast zinc
Material grip	PUR/PUR

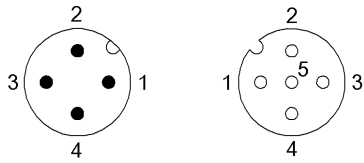
Mechanical data

Cable jacket, color	Yellow
Cable length L	0.30 m
Cable properties	Drag chain compatible
Tightening torque pigtail	0.6 Nm/0.6 Nm

Output/Interface

Switching output	Complementary
------------------	---------------

Connector Drawings



- | | |
|--------------|--------------|
| II | I |
| PIN 1: brown | PIN 1: brown |
| PIN 2: white | PIN 2: white |
| PIN 3: blue | PIN 3: blue |
| PIN 4: black | PIN 4: black |
| | PIN 5: n.c. |

Wiring Diagrams

