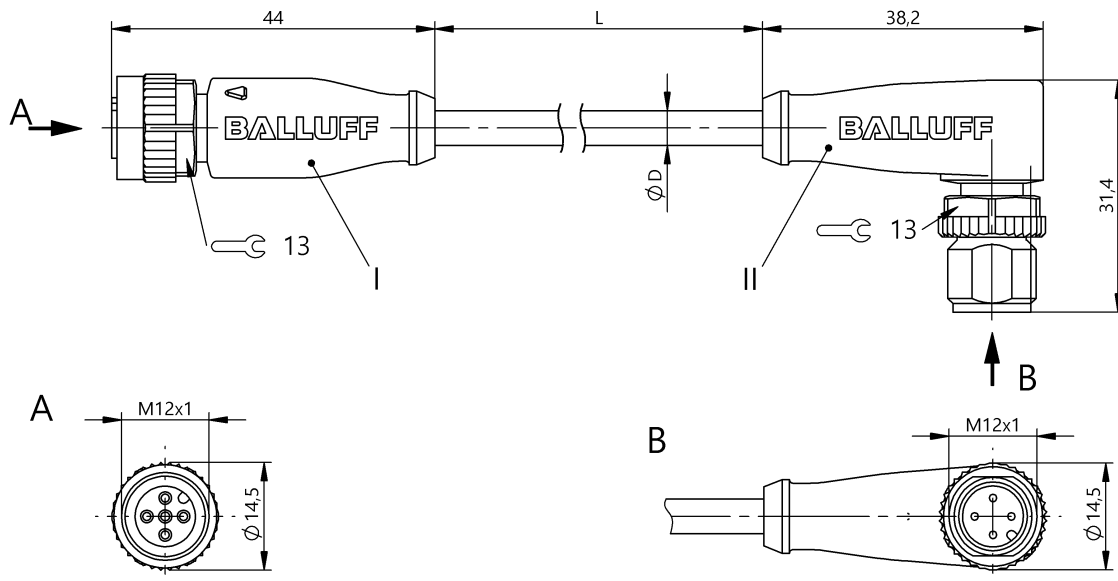


Double-Ended Cordsets
BCC M415-M424-3A-304-PX0434-070
 Order Code: BCC0JCU

BALLUFF



4MT5
(CYJV CABLE ASSEMBLY)



Basic features

| | |
|---------------------|----------------------|
| Approval/Conformity | cULus EAC WEEE |
|---------------------|----------------------|

Electrical connection

| | |
|-------------------------------------|--|
| Bending radius min., fixed cable | 5 x D |
| Bending radius min., flexible cable | 10 x D |
| Cable | PUR black, 7.00 m, Drag chain compatible |
| Cable diameter D | 4.70 mm ±0.20 mm |
| Cable, bending cycles min. | 5 million |
| Cable, torsion stress | ±180°/m |
| Conductor cross-section | 0.34 mm ² |
| Connection 1 | M12x1-Female, straight, 5-pin, A-coded |
| Connection 2 | M12x1-Male, angled, 4-pin, A-coded |
| Number of conductors | 4 |
| System | Molded/Molded |

Electrical data

| | |
|----------------------------------|-------------------|
| Operating voltage U _b | 250 VDC / 250 VAC |
| Rated current (40 °C) | 4.0 A |

Environmental conditions

| | |
|---|-------------------------------------|
| Cable temperature UL max., fixed routing | 80 °C |
| Cable temperature UL max., flexible routing | 80 °C |
| Cable temperature, drag chain | -25...60 °C |
| Cable temperature, fixed routing | -50...90 °C |
| Cable temperature, flexible routing | -25...90 °C |
| IP rating | IP67, IP68, IP69K/IP67, IP68, IP69K |

Material

| | |
|--------------------------|-----------------------------|
| Cable jacket, material | PUR |
| Material contact carrier | PUR/PUR |
| Material contacts | Bronze/Brass |
| Material cover nut | Die-cast zinc/Die-cast zinc |
| Material grip | PUR/PUR |

Mechanical data

| | |
|---|-----------------------|
| Acceleration max., drag chain | 5 m/s ² |
| Cable jacket, color | black |
| Cable length L | 7.00 m |
| Cable properties | Drag chain compatible |
| Horizontal travel permitted, drag chain | 5 m |
| Tightening torque pigtail | 0.6 Nm/0.6 Nm |
| Traverse speed max., drag chain | 200 m/min |
| Vertical travel permitted, drag chain | 5 m |

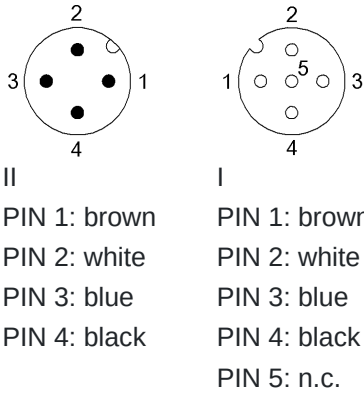
Output/Interface

| | |
|------------------|---------------|
| Switching output | Complementary |
|------------------|---------------|

Remarks

Cable construction acc. to UL-AWM Style 20549
 Halogen-free per DIN VDE 0472 Part 815
 Silicone-free
 Flame-retarding acc. to IEC 60332-2
 Enclosure rating per IEC 60529 or 20653, only in screwed state with the associated mating piece.

Connector Drawings



Wiring Diagrams

