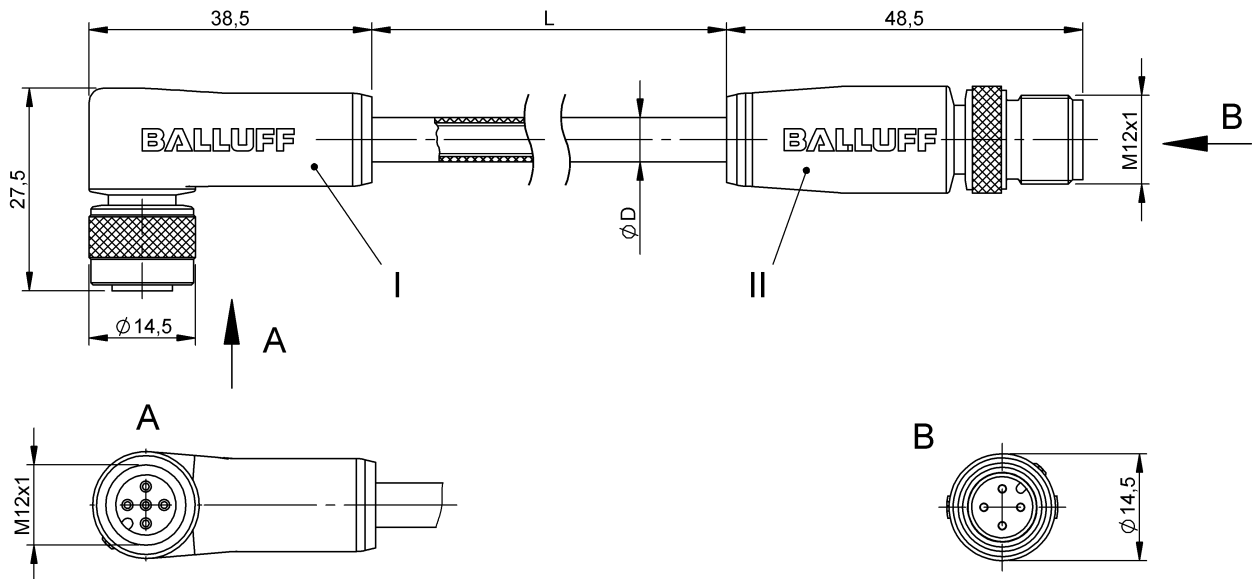


Double-Ended Cordsets
BCC W425-W414-3A-650-NW44T2-010
 Order Code: BCC0JE4

BALLUFF



Basic features

Application	Welding area
Approval/Conformity	CE EAC WEEE

Display/Operation

Function indicator (Pin 2)	LED white
Function indicator (Pin 4)	LED yellow
Power indicator	LED green/no

Electrical connection

Bending radius min., fixed cable	5 x D
Bending radius min., flexible cable	10 x D
Cable	TPE welding spark resistant yellow, 1 m, Drag chain compatible
Cable diameter D	8.00 mm ±0.20 mm
Cable, bending cycles min.	10 million
Conductor cross-section	22 AWG
Connection 1	M12x1-Female, angled, 5-pin, A-coded
Connection 2	M12x1-Male, straight, 4-pin, A-coded
Number of conductors	4
Protection jacket color	Transparent
System	Molded/Molded

Electrical data

Cable rated voltage AC max.	300 V
Cable rated voltage DC max.	300 V
Operating voltage U_b	30 VDC
Rated current (40 °C)	4.0 A

Environmental conditions

Cable temperature, fixed routing	-50...105 °C
Cable temperature, flexible routing	-25...105 °C
IP rating	IP65/IP65

Material

Cable jacket material, note	welding spark resistant
Cable jacket, material	TPE
Jacket material	Silicone
Material contact carrier	PUR, special/PUR, special
Material contacts	Bronze/Brass
Material cover nut	Brass PTFE coated/Brass PTFE coated
Material grip	PUR, special/PUR, special

Mechanical data

Cable jacket, color	Yellow
Cable length L	1.00 m
Cable properties	Drag chain compatible
Tightening torque pigtail	0.6 Nm/0.6 Nm

Output/Interface

Switching output	Complementary
------------------	---------------

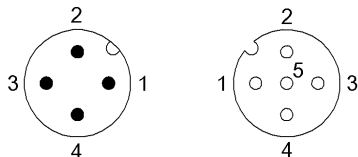
Double-Ended Cordsets
BCC W425-W414-3A-650-NW44T2-010
Order Code: BCC0JE4



Remarks

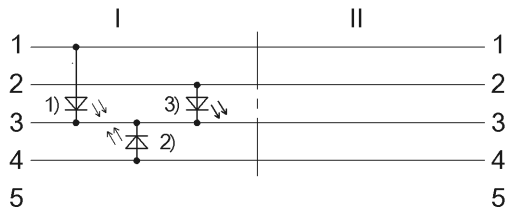
Cable construction acc. to UL-AWM Style 20327
 Flame resistance acc. to IEC 332-2
 Maximum temperature at outer jacket from weld spatter/beads short-time 800°C.
 Enclosure rating per IEC 60529, only in screwed state with the associated mating piece.

Connector Drawings



- | | |
|--|--|
| <p>II
 PIN 1: brown
 PIN 2: white
 PIN 3: blue
 PIN 4: black</p> | <p>I
 PIN 1: brown
 PIN 2: white
 PIN 3: blue
 PIN 4: black
 PIN 5: n.c.</p> |
|--|--|

Wiring Diagrams



- 1) Green LED = Power
- 2) Yellow LED = Function
- 3) LED white = Function