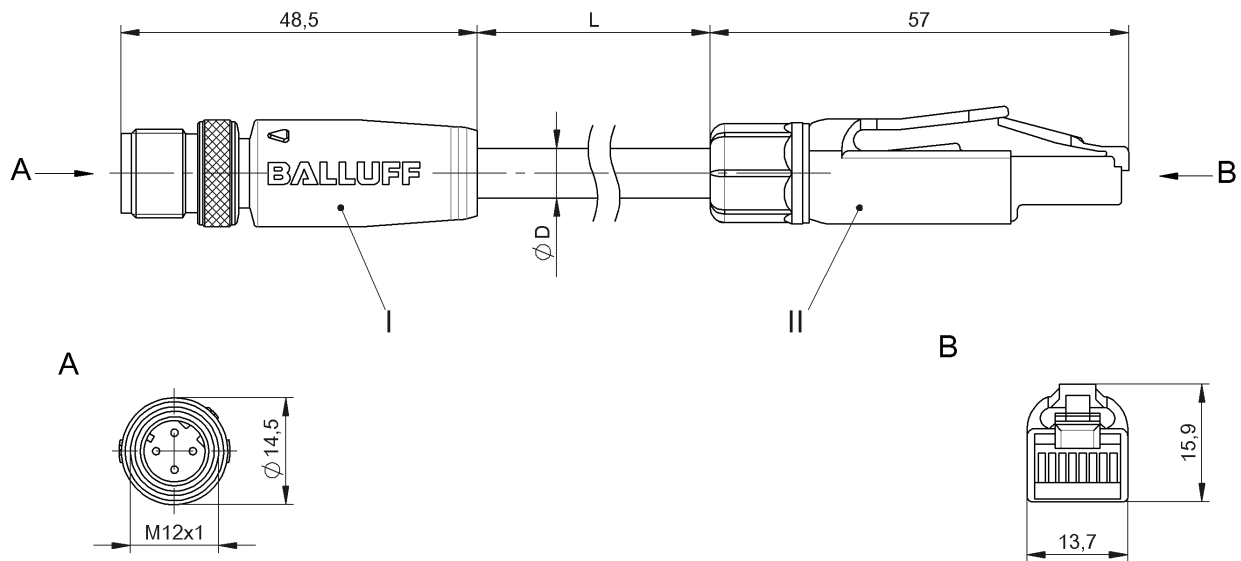


Double-Ended Cordsets
BCC M414-E834-8G-668-PS54N2-110
 Order Code: BCC0JN6

BALLUFF



Basic features

Application	Profinet , CAT 5
Approval/Conformity	CE cULus EAC WEEE

Electrical connection

Bending radius min., fixed cable	5 x D
Bending radius min., flexible cable	15 x D
Cable	PUR Shielded Green, 11 m, Drag chain compatible
Cable diameter D	6.70 mm ±0.30 mm
Cable, bending cycles min.	2 million
Cable, note	Profinet Type C, CAT 5E by IEC 61156-6
Conductor cross-section	22 AWG
Connection 1	M12x1-Male, Straight, 4-pin, D-coded
Connection 2	RJ45-Male, Straight, 4-pin
Number of conductors	4
System	Molded/assembled

Electrical data

Operating voltage Ub	125 VDC / 125 VAC
Rated current (40 °C)	1.0 A
Transfer rate	10...100 Mbit/s

Remarks

Cable construction acc. to UL-AWM Style 20236
 Halogen-free per DIN VDE 0472 Part 815
 Silicone-free

Environmental conditions

Cable temperature, fixed routing	-40...80 °C
Cable temperature, flexible routing	-20...60 °C
IP rating	IP67/IP20

Material

Cable jacket material, note	Shielded
Cable jacket, material	PUR
Cable shield	Aluminum foil and copper braid
Material contact carrier	PUR
Material contacts	Brass
Material cover nut	Brass nickel plated
Material grip	PUR/PA

Mechanical data

Acceleration max., drag chain	2 m/s ²
Cable jacket, color	Green
Cable length L	11.00 m
Cable properties	Drag chain compatible
Horizontal travel permitted, drag chain	5 m
Tightening torque pigtail	0.6 Nm/-
Traverse speed max., drag chain	200 m/min
Vertical travel permitted, drag chain	5 m

Double-Ended Cordsets
BCC M414-E834-8G-668-PS54N2-110
Order Code: BCC0JN6



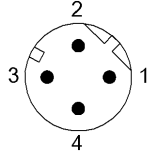
Flame resistance acc. to FT1

Enclosure rating per IEC 60529 or ISO 20653, only in screwed state with the associated mating piece.

Connector Drawings

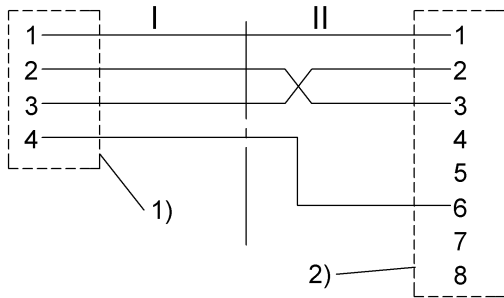


II
 PIN 1: yellow
 PIN 2: orange
 PIN 3: white
 PIN 4: n.c.
 PIN 5: n.c.
 PIN 6: blue
 PIN 7: n.c.
 PIN 8: n.c.



I
 PIN 1: yellow
 PIN 2: white
 PIN 3: orange
 PIN 4: blue

Wiring Diagrams



1) Shield on cover nut
 2) Shield on housing