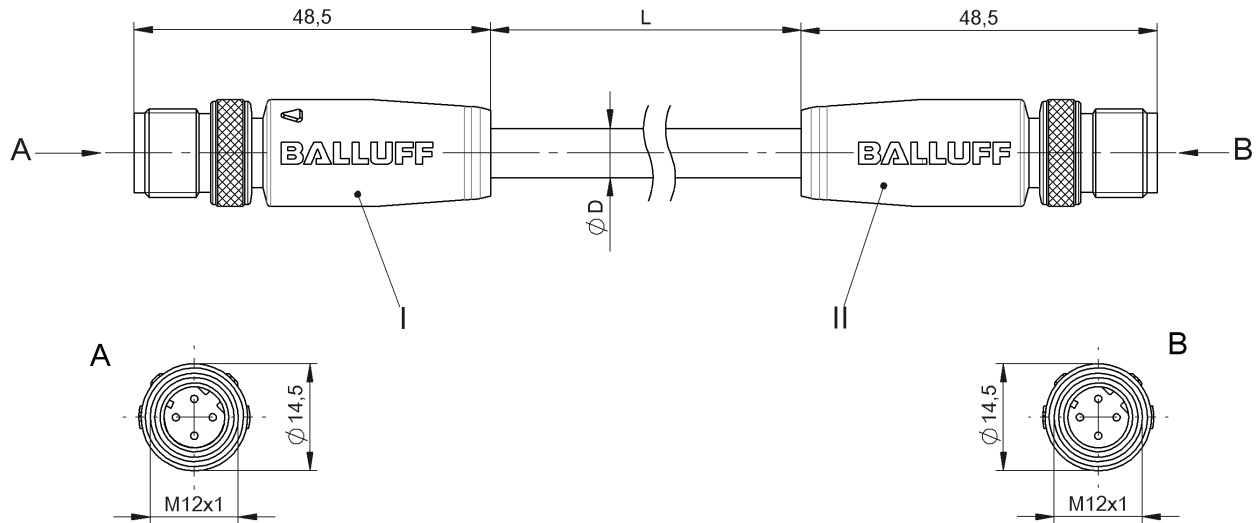


Double-Ended Cordsets  
**BCC M414-M414-6D-338-ES24N9-450**  
 Order Code: BCC0JPC

**BALLUFF**



**Basic features**

|                            |                      |
|----------------------------|----------------------|
| <b>Application</b>         | Ethernet, CAT 5      |
| <b>Approval/Conformity</b> | cULus<br>EAC<br>WEEE |

**Electrical connection**

|  |   |
|--|---|
| <b>Bending radius min., flexible cable</b> | 10 x D  |
| <b>Cable</b>                               | TPE Shielded red, 45 m, Drag chain compatible |
| <b>Cable diameter D</b>                    | 6.10 mm ±0.25 mm                              |
| <b>Cable, bending cycles min.</b>          | 10 million                                    |
| <b>Cable, note</b>                         | Ethernet, CAT 5E                              |
| <b>Conductor cross-section</b>             | 24 AWG  |
| <b>Connection 1</b>                        | M12x1-Male, straight, 4-pin, D-coded          |
| <b>Connection 2</b>                        | M12x1-Male, straight, 4-pin, D-coded          |
| <b>Number of conductors</b>                | 4   |
| <b>System</b>                              | Molded/Molded                                 |

**Electrical data**

|                                    |                    |
|------------------------------------|--------------------|
| <b>Cable rated voltage AC max.</b> | 600 V              |
| <b>Cable rated voltage DC max.</b> | 600 V              |
| <b>Conductor construction</b>      | 2x2 twisted-pair   |
| <b>Conductor resistance</b>        | ≤ 26.0 Ohm/1000 ft |
| <b>Coupling resistance max.</b>    | 100 Ohm ±15 Ohm    |
| <b>Operating capacitance</b>       | 13.5 pF/ft         |
| <b>Operating voltage Ub</b>        | 250 VDC / 250 VAC  |
| <b>Rated current (40 °C)</b>       | 4.0 A              |
| <b>Transfer rate</b>               | 10...100 Mbit/s    |

**Environmental conditions**

|  |             |
|--|-------------|
| <b>Cable temperature, flexible routing</b> | -40...80 °C |
| <b>Protection degree</b>                   | IP67/IP67   |

**Material**

|                                    |   |
|------------------------------------|---|
| <b>Cable jacket material, note</b> | Shielded                                      |
| <b>Cable jacket, material</b>      | TPE   |
| <b>Cable shield</b>                | Aluminum foil and copper braid                |
| <b>Material contact carrier</b>    | PUR/PUR                                       |
| <b>Material contacts</b>           | Brass/Brass                                   |
| <b>Material cover nut</b>          | Brass<br>nickel plated/Brass<br>nickel plated |
| <b>Material grip</b>               | PUR/PUR                                       |

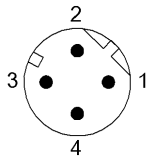
**Mechanical data**

|                                  |                       |
|----------------------------------|-----------------------|
| <b>Cable jacket, color</b>       | Red                   |
| <b>Cable length L</b>            | 45.00 m               |
| <b>Cable properties</b>          | Drag chain compatible |
| <b>Tightening torque pigtail</b> | 0.6 Nm/0.6 Nm         |

## Remarks

Cable construction acc. to UL CMX Outdoor or AWM Style 2463  
Enclosure rating per IEC 60529, only in screwed state with the associated mating piece.  
360° shield on cover nut

## Connector Drawings



I, II

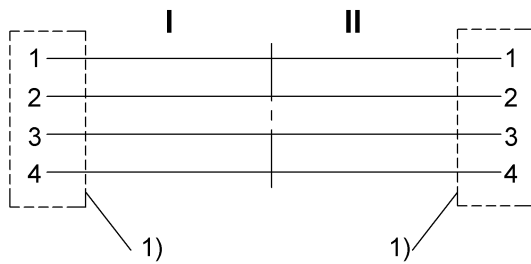
PIN 1: white/orange

PIN 2: white/green

PIN 3: orange

PIN 4: green

## Wiring Diagrams



1) Shield on cover nut