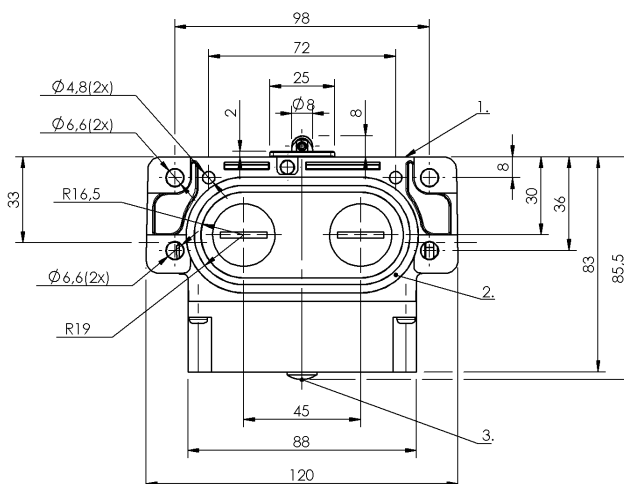
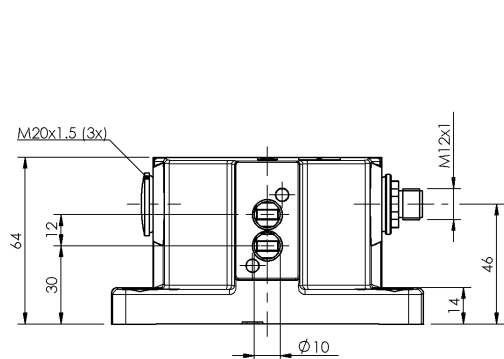


**Mechanical Cam Switches**  
**BNS 819-D02-L12-62-10-FE-S80R**  
**Order Code: BNS053J**

**BALLUFF**



1) Reference edge, 2) Sealing ring, 3) Function indicator FD/FE/LL



**Basic features**

<b>Approval/Conformity</b>	CE WEEE EAC
<b>Basic standard</b>	IEC 60947-5-1
<b>Operating principle</b>	1-2. Switch position: Mechanical
<b>Version</b>	Snap contact

**Display/Operation**

<b>Function indicator</b>	1-2. Switch position: FE - 90... 250 V
---------------------------	---

**Electrical connection**

<b>Connection</b>	M12x1-Flange male, 5-pin
<b>Connection type</b>	1. Switch position: Connector

**Electrical data**

<b>Continuous current</b>	1-2. Switch position: 4 A
<b>Rated operating voltage Ue</b>	1-2. Switch position: 90...250 V
<b>Switching function mechanical</b>	Double-interrupting galvanically isolated One NO and one NC Dual changeover
<b>Switching rate</b>	1-2. Switch position: 300/min

**Environmental conditions**

<b>Ambient temperature</b>	-5...85 °C
<b>IP rating</b>	IP67

**Functional safety**

<b>B10d (EN ISO 13849-1)</b>	BSE 30.0: 30 mil. Switching operations
------------------------------	--

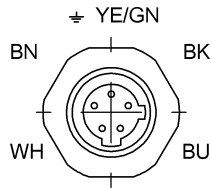
**Material**

<b>Housing material</b>	Aluminum, Anodized
<b>Housing material, surface protection</b>	Anodized
<b>Material contacts</b>	1-2. Switch position: Silver, gold plated
<b>Plunger material</b>	1-2. Switch position: Stainless steel (1.4034)

**Mechanical data**

<b>Approach direction</b>	longitudinal, parallel to attachment surface
<b>Approach speed</b>	1-2. Switch position: 120 m/min
<b>Distance cam - reference edge</b>	1-2. Switch position: 4.50...5.00 mm
<b>Flange, feed-through</b>	2 threaded exit M20
<b>Installation</b>	Vertical
<b>Life expectancy mechanical</b>	1-2. Switch position: 30 million Switching operations
<b>Number of switching positions</b>	2x Roller bearing
<b>Plunger style</b>	1-2nd switch position: Roller bearing
<b>Switch actuation force</b>	1-2. Switch position: 20 N
<b>Switching element</b>	1-2. Switch position: BSE 30.0

Connector Drawings



View of connector side

Wiring Diagrams

