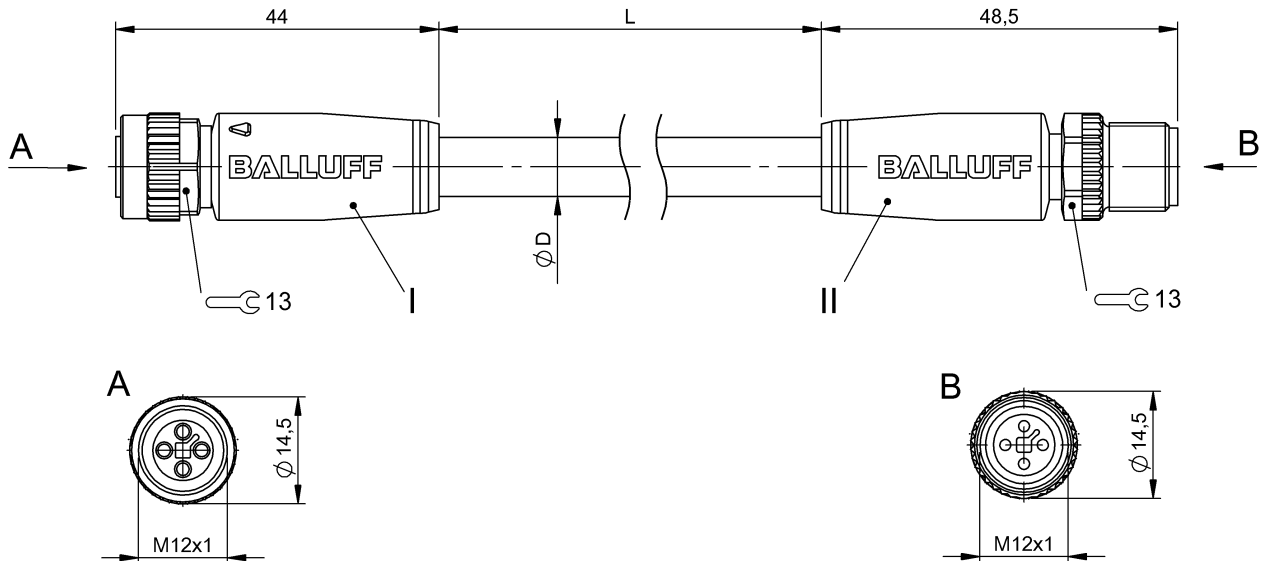


Double-Ended Cordsets  
**BCC M414-M414-3T-304-PX04A5-020**  
 Order Code: BCC0JZ0

**BALLUFF**



**Basic features**

|                     |                   |
|---------------------|-------------------|
| Approval/Conformity | CE<br>EAC<br>WEEE |
|---------------------|-------------------|

**Electrical connection**

|                                     |  |
|-------------------------------------|--|
| Bending radius min., fixed cable    | 7.5 x D                                  |
| Bending radius min., flexible cable | 10 x D                                   |
| Cable                               | PUR black, 2.00 m, Drag chain compatible |
| Cable diameter D                    | 8.00 mm ±0.20 mm                         |
| Cable, bending cycles min.          | 5 million                                |
| Conductor cross-section             | 1.5 mm <sup>2</sup>                      |
| Connection 1                        | M12x1-Female, straight, 4-pin, T-coded   |
| Connection 2                        | M12x1-Male, straight, 4-pin, T-coded     |
| Number of conductors                | 4  |
| System                              | Molded/Molded                            |

**Electrical data**

|                                  |                 |
|----------------------------------|-----------------|
| Operating voltage U <sub>b</sub> | 63 VDC / 63 VAC |
| Rated current (40 °C)            | 12.0 A          |

**Remarks**

Cable construction acc. to UL-AWM Style 20234  
 Halogen-free  
 Silicone-free  
 Flame-retarding  
 Enclosure rating per IEC 60529 or 20653, only in screwed state with the associated mating piece.

**Environmental conditions**

|                                     |                                     |
|-------------------------------------|-------------------------------------|
| Cable temperature, fixed routing    | -50...80 °C                         |
| Cable temperature, flexible routing | -20...80 °C                         |
| IP rating                           | IP67, IP68, IP69K/IP67, IP68, IP69K |

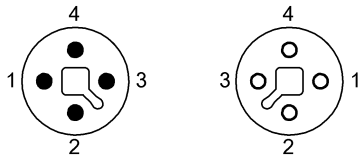
**Material**

|                          |                             |
|--------------------------|-----------------------------|
| Cable jacket, material   | PUR                         |
| Material contact carrier | PUR/PUR                     |
| Material contacts        | Bronze/Brass                |
| Material cover nut       | Die-cast zinc/Die-cast zinc |
| Material grip            | PUR/PUR                     |

**Mechanical data**

|   |                       |
|---|-----------------------|
| Acceleration max., drag chain           | 5 m/s <sup>2</sup>    |
| Cable jacket, color                     | black                 |
| Cable length L                          | 2.00 m                |
| Cable properties                        | Drag chain compatible |
| Horizontal travel permitted, drag chain | 20 m                  |
| Tightening torque pigtail               | 0.6 Nm/0.6 Nm         |
| Traverse speed max., drag chain         | 300 m/min             |

## Connector Drawings



|              |              |
|--------------|--------------|
| II           | I            |
| PIN 1: brown | PIN 1: brown |
| PIN 2: white | PIN 2: white |
| PIN 3: blue  | PIN 3: blue  |
| PIN 4: black | PIN 4: black |

## Wiring Diagrams

