

1) Potentiometer



HEARTBEAT®



Basic features

Approval/Conformity	CE WEEE cULus
Basic standard	EN 61204
Series	Heartbeat
Short description	Switching power supply
Version	DIN rail

Electrical connection

Connection (supply voltage IN)	Terminal strip
Connection (supply voltage OUT)	Terminal strip
Connection alarm	Opto-relay with "Common" contact
Interconnected operation type	Parallel wiring: not possible Series wiring: max. 2 devices
Polarity reversal protected	no
Short-circuit protection	continuous short circuit protection

Electrical data

Current alarm max.	150 mA
Derating	-3.5 %/°C +50 °C
Efficiency typ.	94 %
Hold-up time	≥ 30 ms at 230 V AC ≥ 25 ms at 115 V AC
Idle running losses	3.0 W at 115 V/230 V
Input fuse	T 12 A internal
Input voltage	115/230 V AC automatic selection
Input voltage	90...132 V AC 198...264 V AC
Input/output insulation voltage	3000 V AC
Inrush current	≤ 20 A at 230 V AC ≤ 15 A at 115 V AC
Isolation resistance	≥ 100 MOhm
Load control	±0.5 %
Output current max.	30 A for max. 4s 1x/min.
Output power max.	720 W
Output rating	480 W
Output voltage	24 VDC

Switching Power Supplies
BAE PS-XA-1S-24-200-104
Order Code: BAE00M3

BALLUFF

Output voltage, tolerance	±1 %
Power boost	150 %
Power boost, duration max.	4 s
Protection class	I (IEC 61140)
Rated input current	4.6 A at 230 V AC 9.0 A at 115 V AC
Rated output current	20 A
Residual ripple max.	50 mVpp/10 mVrms
Setting range	22...28 V DC
Settling time	2 ms
Switching frequency	115000 Hz
Turn-on time max.	1 s
Voltage alarm max.	60 V DC/30 V AC
Voltage control	±0.5 %
Working frequency	47...63 Hz

Environmental conditions

Ambient temperature	-25...60 °C
Contamination scale	2
Cooling	Free convection
Over temperature	not protected
Protection degree	IP20
Relative humidity	5...95 %, non-condensing
Storage temperature	-25...85 °C
Temperature coefficient max.	±0.03 %/K

Functional safety

MTTF (40 °C)	43.3 a
--------------	--------

Material

Housing material	Aluminum
------------------	----------

Mechanical data

Dimension	79 x 127 x 139 mm
Mounting	DIN rail mount
Weight	1.10 kg

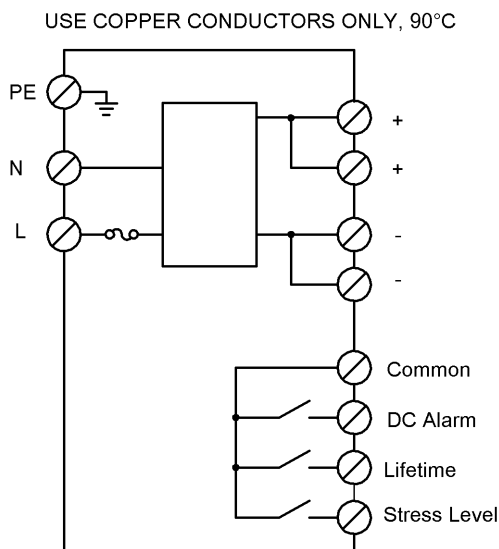
Remarks

Values measured at +25 °C and full load.

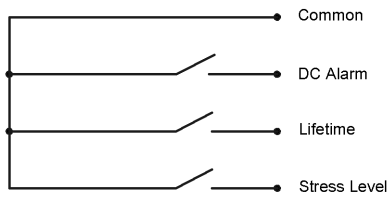
For more information about MTTF and B10d see MTTF / B10d Certificate

Indication of the MTTF- / B10d value does not represent a binding composition and/or life expectancy assurance; these are simply experiential values with no warranty implications. These declared values also do not extend the expiration period for defect claims or affect it in any way.

Wiring Diagrams

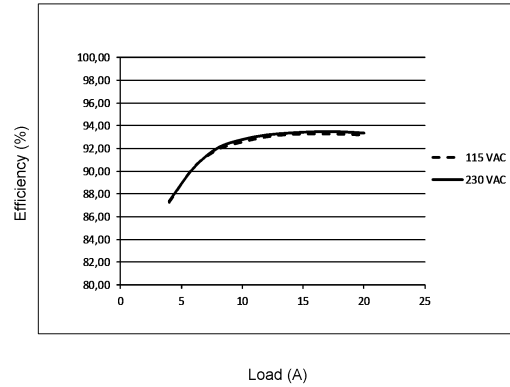


Help Views

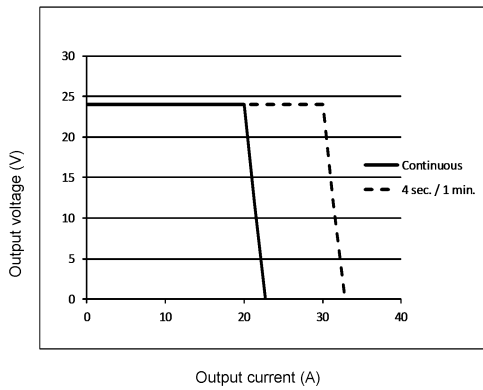


Potential-free alarm contacts

Efficiency 115/230 V AC



Load lines



Derating curve

