

Basic features

Application	For use with BMP
Principle of operation	Position sensor
Scope of delivery	Screw DIN 912-M4x20-A (stainless steel) (2x)

Material

Housing material	PA
-------------------------	----

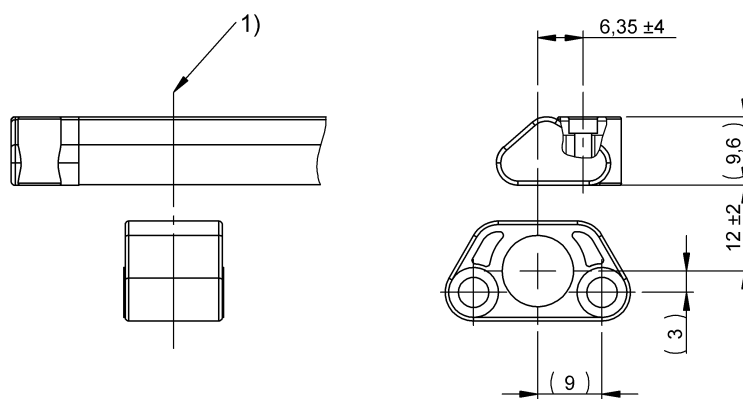
Mechanical data

Alignment	Axial
------------------	-------

Environmental conditions

Ambient temperature	-25...85 °C
----------------------------	-------------

Help Views



1) Position axis