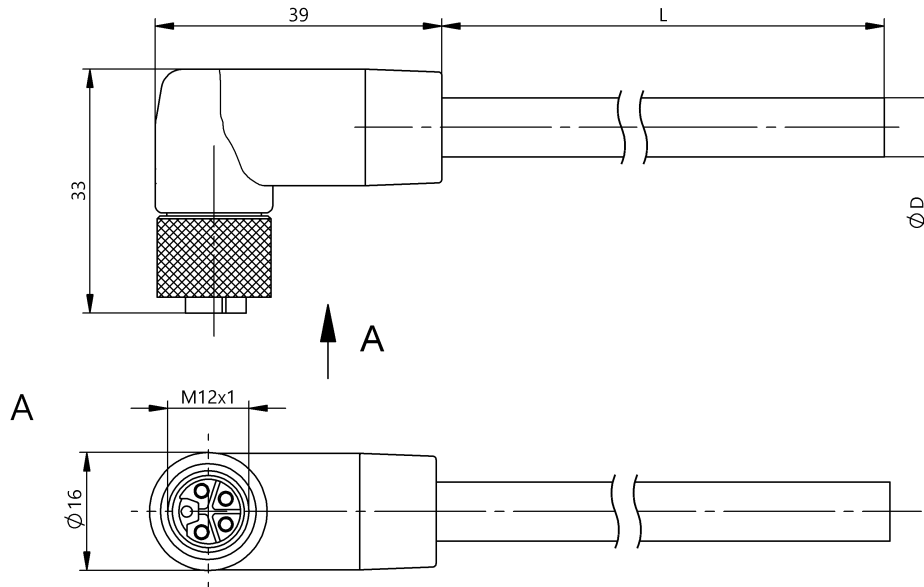


Single-Ended Cordsets

BCC M425-0000-1L-150-PX85A5-100

Order Code: BCC0L2W

BALLUFF



Basic features

Approval/Conformity	CE EAC WEEE
---------------------	-------------------

Electrical connection

Bending radius min., fixed cable	4 x D
Bending radius min., flexible cable	7.5 x D
Cable	PUR gray, 10 m, Drag chain compatible
Cable diameter D	8.00 mm ±0.20 mm
Cable, bending cycles min.	10 million
Conductor cross-section	1.5 mm ²
Connection	M12x1-Female, right-angle, 5-pin, L-coded
Connector configuration	right-angle
Number of conductors	5
Number of pins	5
System	Molded

Electrical data

Operating voltage U_b	60 VDC / 50 VAC
Rated current (40 °C)	16.0 A

Environmental conditions

Cable temperature UL max., fixed routing	80 °C
Cable temperature UL max., flexible routing	80 °C
Cable temperature, drag chain	-20...60 °C
Cable temperature, fixed routing	-40...90 °C
Cable temperature, flexible routing	-30...90 °C
IP rating	IP65, IP67, IP69K

Material

Cable jacket, material	PUR
Material contact carrier	PBT
Material contacts	Copper alloy, gold plated
Material cover nut	Brass nickel plated
Material grip	TPE

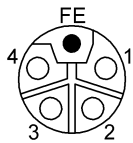
Mechanical data

Acceleration max., drag chain	50 m/s ²
Cable jacket, color	gray
Cable length L	10.00 m
Cable properties	Drag chain compatible
Tightening torque pigtail	0.6 Nm
Traverse speed max., drag chain	5 m/s

Remarks

Cable construction acc. to UL-AWM Style 20939
Flame resistance acc. to IEC 60332-1
Flame resistance per IEC 60332-1-2
Flame resistance acc. to UL 1581/1080 VW-1
Halogen-free per DIN VDE 0472 Part 815
Silicone-free
Oil resistant per DIN EN 60811-404 (VDE 0473-811-404)
Enclosure rating per IEC 60529 or 20653, only in screwed state with the associated mating piece.

Connector Drawings



PIN 1: brown
PIN 2: white
PIN 3: blue
PIN 4: black
PIN 5: pink

Wiring Diagrams

