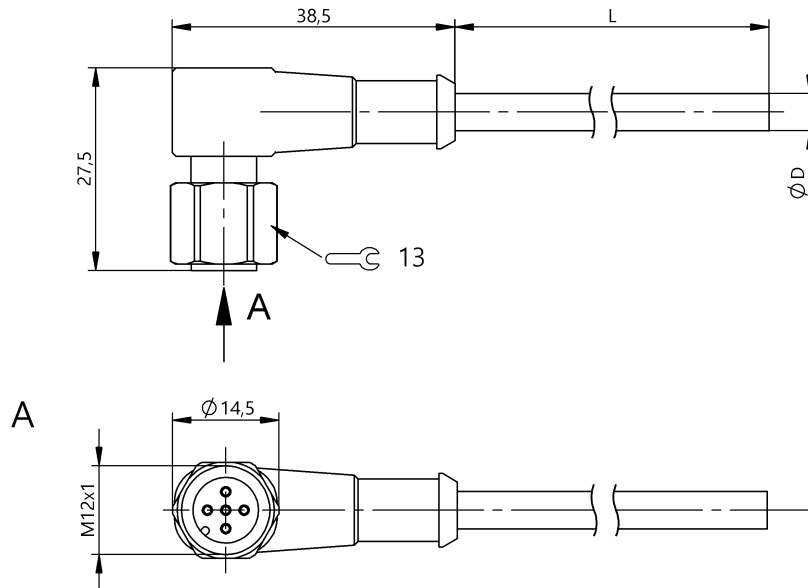


Single-Ended Cordsets

BCC S4C5-0000-1A-017-YX8534-150-C009

Order Code: BCC0LCH

BALLUFF



Basic features

| | |
|---------------------|---------------|
| Approval/Conformity | FDA compliant |
| | CE |
| | EAC |
| | Ecolab |
| | WEEE |

Electrical connection

| | |
|-------------------------------------|--|
| Bending radius min., fixed cable | 5 x D |
| Bending radius min., flexible cable | 10 x D |
| Cable | TPE-V gray, 15 m |
| Cable diameter D | 5.1 mm ±0.2 mm |
| Conductor cross-section | 0.34 mm ² |
| Connection | M12x1-Female, right-angle, 5-pin, A-coded |
| Connector configuration | right-angle |
| Number of conductors | 5 |
| Number of pins | 5 |
| System | Molded |

Electrical data

| | |
|----------------------------------|-----------------|
| Cable rated voltage AC max. | 300 V |
| Cable rated voltage DC max. | 300 V |
| Operating voltage U _b | 60 VDC / 60 VAC |
| Rated current (40 °C) | 4.0 A |

Remarks

Halogen-free per DIN VDE 0472 Part 815

Halogen-free acc. to IEC 60754-1

LABS-free

Enclosure rating per IEC 60529 or 20653, only in screwed state with the associated mating piece.

Environmental conditions

| | |
|-------------------------------------|--------------|
| Cable temperature, fixed routing | -50...105 °C |
| Cable temperature, flexible routing | -25...105 °C |
| IP rating | IP67, IP69K |

Material

| | |
|--------------------------|--------------------------|
| Cable jacket, material | TPE-V |
| Material contact carrier | PP |
| Material contacts | Bronze |
| Material cover nut | Stainless steel (1.4404) |
| Material grip | PP |

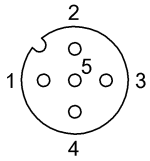
Mechanical data

| | |
|---------------------------|---------|
| Cable jacket, color | gray |
| Cable length L | 15.00 m |
| Tightening torque pigtail | 0.6 Nm |

Output/Interface

| | |
|------------------|---------------|
| Switching output | Complementary |
|------------------|---------------|

Connector Drawings



PIN 1: brown

PIN 2: white

PIN 3: blue

PIN 4: black

PIN 5: gray

Wiring Diagrams

