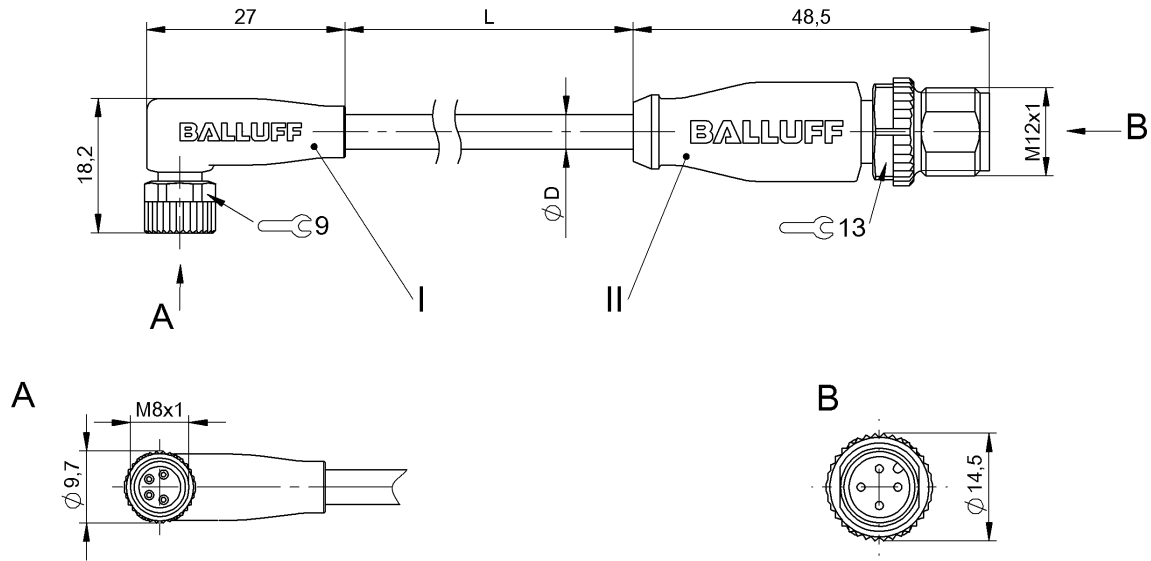


## Double-Ended Cordsets

**BCC M324-M414-3E-606-PW0434-015**

**Order Code: BCC0LER**

# BALLUFF



4MT5  
(CYJV CABLE ASSEMBLY)



### Basic features

|                     |                            |
|---------------------|----------------------------|
| Application         | Welding area               |
| Approval/Conformity | CE<br>cULus<br>EAC<br>WEEE |

### Display/Operation

|                            |              |
|----------------------------|--------------|
| Function indicator (Pin 4) | LED yellow   |
| Power indicator            | LED green/no |

### Electrical connection

|                                     |   |
|-------------------------------------|---|
| Bending radius min., fixed cable    | 5 x D   |
| Bending radius min., flexible cable | 10 x D  |
| Cable                               | PUR welding spark resistant black, 1.5 m, Drag chain compatible |
| Cable diameter D                    | 4.30 mm ±0.10 mm  |
| Cable, bending cycles min.          | 10 million  |
| Cable, torsion stress               | ±360°/m   |
| Conductor cross-section             | 0.34 mm <sup>2</sup>  |
| Connection 1                        | M8x1-Female, angled, 4-pin, A-coded                             |
| Connection 2                        | M12x1-Male, straight, 4-pin, A-coded                            |
| Number of conductors                | 4   |
| System                              | Molded/Molded   |

### Electrical data

|                                  |        |
|----------------------------------|--------|
| Operating voltage U <sub>b</sub> | 30 VDC |
| Rated current (40 °C)            | 4.0 A  |

### Environmental conditions

|   |                        |
|---|------------------------|
| Cable temperature UL max., fixed routing    | 80 °C                  |
| Cable temperature UL max., flexible routing | 80 °C                  |
| Cable temperature, drag chain               | -25...60 °C            |
| Cable temperature, fixed routing            | -50...90 °C            |
| Cable temperature, flexible routing         | -25...90 °C            |
| IP rating                                   | IP67/IP67, IP68, IP69K |

### Material

|                             |  |
|-----------------------------|--|
| Cable jacket material, note | welding spark resistant                            |
| Cable jacket, material      | PUR  |
| Material contact carrier    | PUR/PUR  |
| Material contacts           | Bronze/Brass                                       |
| Material cover nut          | Die-cast zinc or nickel plated brass/Die-cast zinc |
| Material grip               | PUR/PUR  |

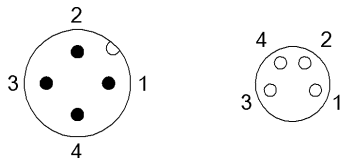
### Mechanical data

|   |                       |
|---|-----------------------|
| Acceleration max., drag chain           | 5 m/s <sup>2</sup>    |
| Cable jacket, color                     | black                 |
| Cable length L                          | 1.50 m                |
| Cable properties                        | Drag chain compatible |
| Horizontal travel permitted, drag chain | 5 m                   |
| Tightening torque pigtail               | 0.4 Nm/0.6 Nm         |
| Traverse speed max., drag chain         | 200 m/min             |
| Vertical travel permitted, drag chain   | 2 m                   |

**Remarks**

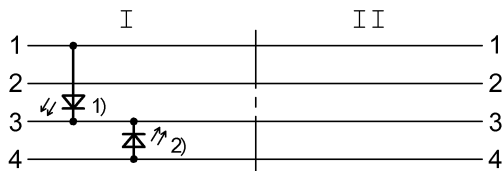
Cable construction acc. to UL-AWM Style 20549  
 Halogen-free per DIN VDE 0472 Part 815  
 Silicone-free  
 Flame resistance per UL FT2  
 Enclosure rating per IEC 60529 or 20653, only in screwed state with the associated mating piece.

**Connector Drawings**



|              |              |
|--------------|--------------|
| II           | I            |
| PIN 1: brown | PIN 1: brown |
| PIN 2: white | PIN 2: white |
| PIN 3: blue  | PIN 3: blue  |
| PIN 4: black | PIN 4: black |

**Wiring Diagrams**



1) Green LED = Power  
 2) Yellow LED = Function