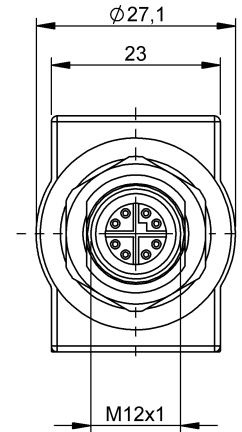
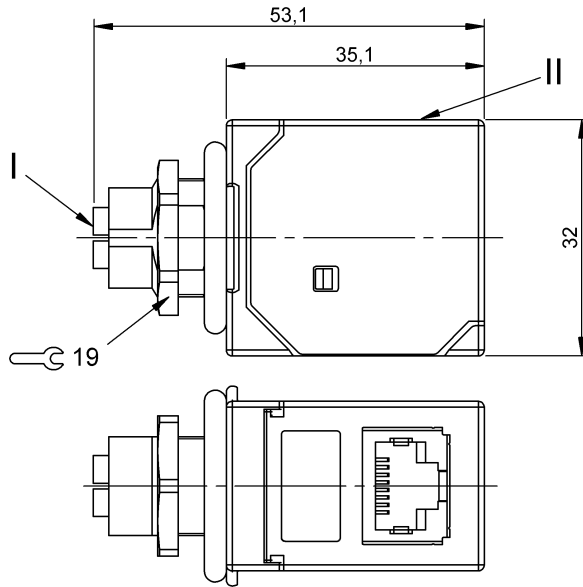


Bulkhead Connectors
BCC M428-E818-BX0-RM149-000
 Order Code: BCC0LJN

BALLUFF



Basic features

Approval/Conformity	EAC WEEE
---------------------	-------------

Electrical connection

Connection 1	M12x1-Female, angled, 8-pin, X-coded
Connection 2	RJ45-Female, straight, 8-pin
Connector 01, version	right-angle
Connector 02, version	Straight
Number of pins	8/8

Electrical data

Operating voltage U_b	60 VDC / 50 VAC
Rated current (40 °C)	0.5 A

Environmental conditions

Ambient temperature	-40...85 °C
IP rating	IP67

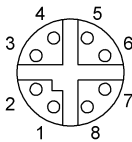
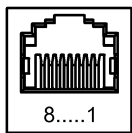
Material

Material contact carrier	PA
Material contacts	Bronze
Material grip	Nickel-plated brass Die-cast zinc

Mechanical data

Mounting	M16x1.5
----------	---------

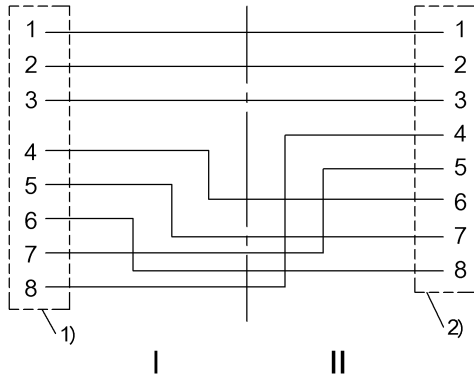
Connector Drawings



II

I

Wiring Diagrams



- 1) Shield on cover nut
- 2) Shield on housing